

■ **Model Name : PSDH400701B**
ILB400N701N1B

- **Features :**
- Class II
 - Flickerless
 - Full-protection provided: OCP/OVP/OTP/SCP/OLP
 - Low Power Dissipation @ No Load : <1.0W
 - Wide Vout : 27 ~ 50Vdc
 - Meets safety requirements for lighting
 - Constant Current Type

한국표준협회



제 16-0428호
(KS C 7655)



SOLUM Co., Ltd

150, Maeyoung-Ro, Youngtong-Gu, Suwon-Si, Gyeonggi-Do, Republic of Korea 443-743

TEL: +82-1588-0502, www.solu-m.com

■ Electrical specification

| No. | Item | Min | Typ | Max | Unit | Remark | |
|-----|----------------------------------|-----------------|-------|-------|------|-------------------------------|-----|
| 1 | Nominal Input Voltage | 220 | | 240 | Vac | | |
| 2 | Wide Input Voltage | 198 | | 264 | Vac | | |
| 3 | Maximum Input Current | | | 0.35 | Arms | | |
| 4 | Nominal Input Frequency | 50 | | 60 | Hz | | |
| 5 | Wide Input Frequency | 47 | | 63 | Hz | | |
| 6 | Power Factor (PF) | 0.9 | | | | 1) | |
| 7 | Total Harmonic Distortion (THD) | | | 13 | % | 1) | |
| 8 | Inrush Current | | | 50 | A | | |
| 9 | Output Voltage | 27 | 36 | 50 | Vdc | | |
| 10 | Output Current | 665 | 700 | 735 | mA | @50Vdc Load | |
| | | 665 | 700 | 735 | mA | @36Vdc Load | |
| | | 679 | 715 | 751 | mA | @27Vdc Load | |
| 11 | Ripple Current | | | 70 | mA | 20MHz Bandwidth, 2) | |
| 12 | Turn-on Delay | | | 1,000 | ms | @Cold Start, 3) | |
| 13 | Electrical Efficiency | 80 | 88 | | % | 2) | |
| 14 | No Load Power Dissipation | | | 1 | W | @ LED OPEN | |
| 15 | Output Open LED Protection | | 58 | 60 | Vdc | Auto-recovery | |
| 16 | Output Short Circuit Protection | - | - | - | - | Auto-recovery | |
| 17 | Over-temperature Protection | - | - | - | °C | Auto-recovery | |
| 18 | Case Temperature (Tc) | | | 80 | °C | | |
| 19 | Storage Temperature | -20 | | 80 | °C | | |
| 20 | Operating Temperature | -20 | | 50 | °C | | |
| 21 | Humidity | 20 | | 85 | % | | |
| 22 | Insulation Resistance | 10 | | | MΩ | 500Vdc between Input & Output | |
| 23 | Differential Mode (Line to Line) | 2.5 | 5 | | kV | 4) | |
| 24 | Common Mode (Line to Ground) | 8 | | | kV | 4) 5) | |
| 25 | Contact Discharge Test Voltage | 2 | 4 | | kV | 6) | |
| 26 | Air Discharge Test Voltage | 4 | 8 | | kV | 6) 7) | |
| 27 | Dielectric Withstand Voltage | Input to Output | 3,750 | | | Apply for 1 minute 8) | |
| 28 | | Input to Case | - | - | - | | Vac |
| 29 | | Output to Case | - | - | - | | Vdc |

SOLUM Co., Ltd

150, Maeyoung-Ro, Youngtong-Gu, Suwon-Si, Gyeonggi-Do, Republic of Korea 443-743

TEL: +82-1588-0502, www.solu-m.com

☞ Application Notes

- 1) Test Condition: 198/264Vac 50/60Hz Input, Typical LED Load, Ambient Temperature 25°C, Measure at the cable-end
- 2) Test Condition: 240Vac 60Hz Input, LED Max. Load, 30min Aging, Ambient Temperature 25°C
- 3) At least, Turn-On Time should be continued for 1sec.
- 4) Surge Specification above is higher than IEC/EN 61000-4-5 (Differential 1kV, Common 2kV)
- 5) The metal case of the LED driver must be connected with F.G
- 6) ESD Specification above meets IEC/EN 61000-4-2 Requirements (Contact 4kV, Air 8kV)
- 7) The metal case of the driver should be grounded.
- 8) Determined by Paragraph 34.1.2, UL1310 or Paragraph 8.4.2, UL8750, EN61347-1, EN61347-2-13

☞ Safety Standards

Including safety requirements above, the LED driver complies with the following safety standards:

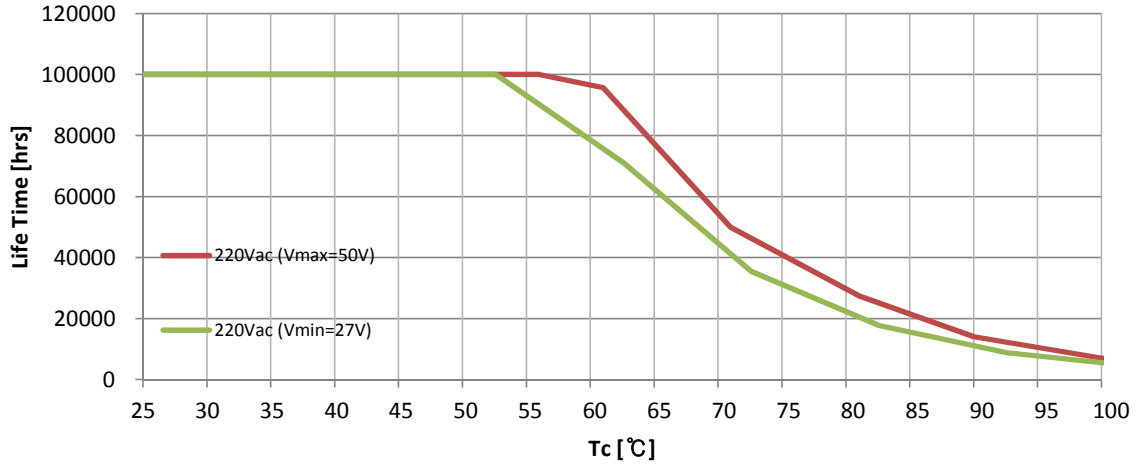
| No. | Item | Description |
|-----|-----------------------------------|--|
| 1 | UL8750, UL1310 | UL Safety Standards (Class 2, Dry and Damp Location) |
| 2 | FCC Part 15, Class B | Conducted and Radiated Emission Test |
| 3 | IEC/EN 61347-1, IEC/EN 61347-2-13 | IEC/EN Safety Standards |
| 4 | IEC/EN 55015 | Conducted and Radiated Emission Test |
| 5 | IEC/EN 61000-3-2 | Harmonic current emissions: Class C |
| 6 | IEC/EN 61000-3-3 | Voltage Fluctuations and Flicker |
| 7 | IEC/EN 61000-4-2 | Electrostatic Discharge (ESD): Contact 4kV, Air 8kV |
| 8 | IEC/EN 61000-4-3 | Radio-frequency Electromagnetic Fields |
| 9 | IEC/EN 61000-4-4 | Electrical Fast Transients (EFT) |
| 10 | IEC/EN 61000-4-5 | Surges: Differential 1kV, Common 2kV |
| 11 | IEC/EN 61000-4-6 | Injected Currents |
| 12 | IEC/EN 61000-4-8 | Power Frequency Magnetic Fields |
| 13 | IEC/EN 61000-4-11 | Voltage Dips and Short Interruptions |

SOLUM Co., Ltd

150, Maeyoung-Ro, Youngtong-Gu, Suwon-Si, Gyeonggi-Do, Republic of Korea 443-743

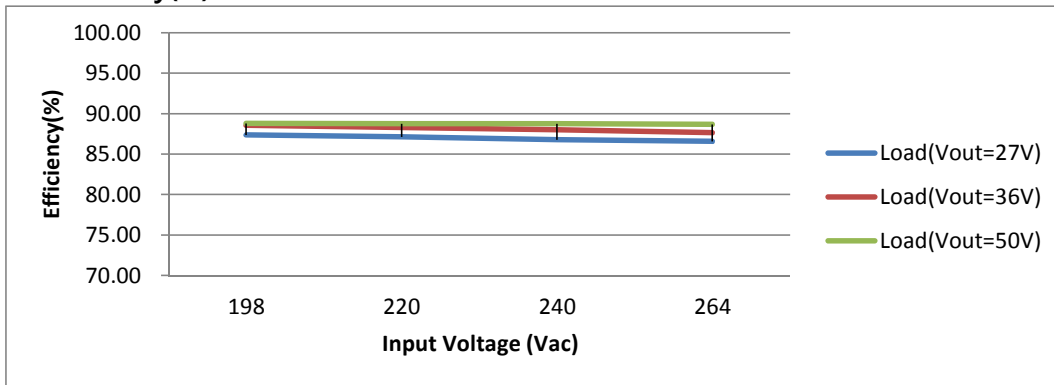
TEL: +82-1588-0502, www.solu-m.com

■ Life Time vs Tcase



Remark) LED Driver has a rated lifetime of 50,000 hours @ Tc≤65°C

■ Efficiency(%)

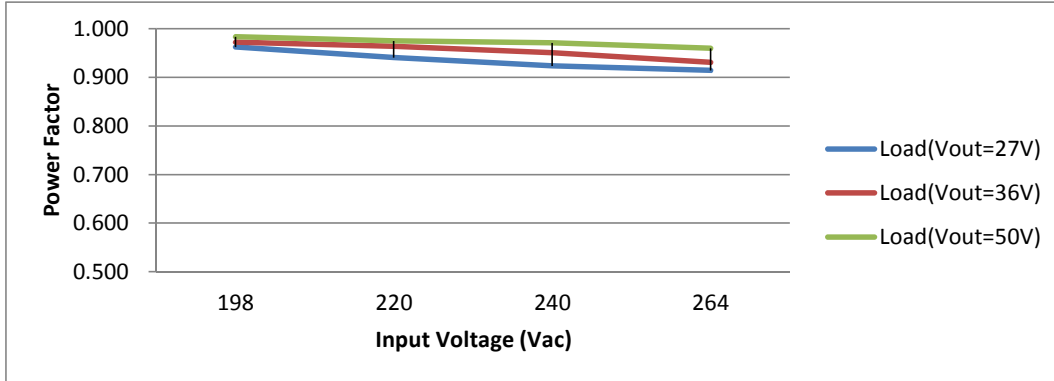


SOLUM Co., Ltd

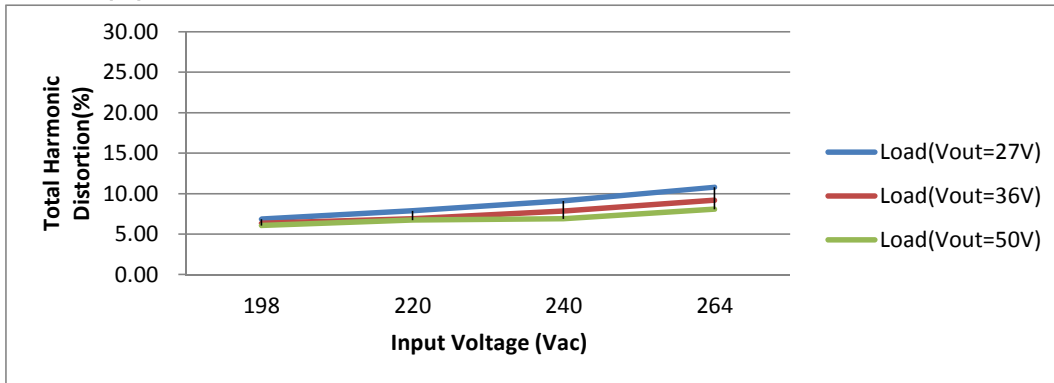
150, Maeyoung-Ro, Youngtong-Gu, Suwon-Si, Gyeonggi-Do, Republic of Korea 443-743

TEL: +82-1588-0502, www.solu-m.com

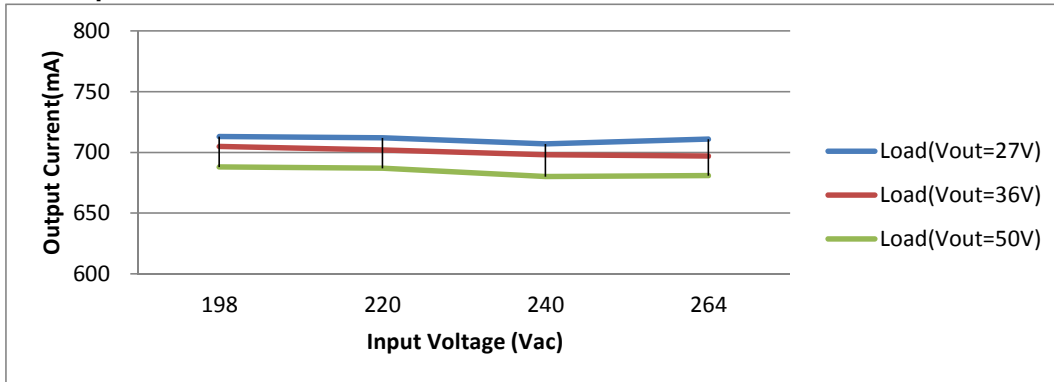
■ Power Factor



■ THD(%)



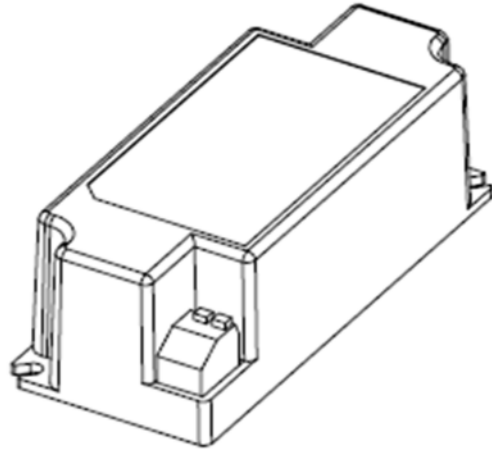
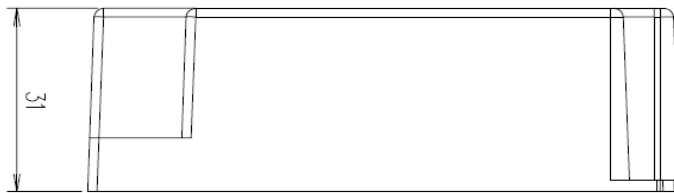
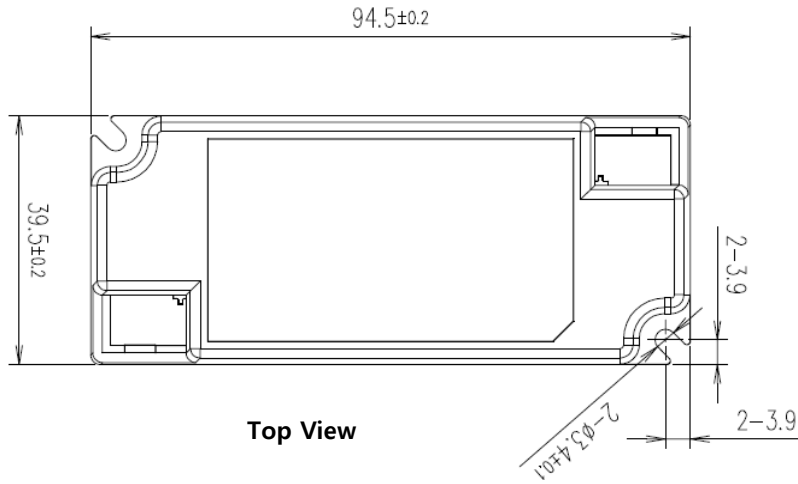
■ Output Current(mA)



SOLUM Co., Ltd

150, Maeyoung-Ro, Youngtong-Gu, Suwon-Si, Gyeonggi-Do, Republic of Korea 443-743

TEL: +82-1588-0502, www.solu-m.com

■ Mechanical Specification

■ Enclosure Size

| Unit | Width | Length | Height | Mount Length | Overall Length |
|------|-------|--------|--------|--------------|----------------|
| mm | 39.5 | 94.5 | 31.0 | 86.7 | 94.5 |
| inch | 1.56 | 3.72 | 1.22 | 3.41 | 3.72 |

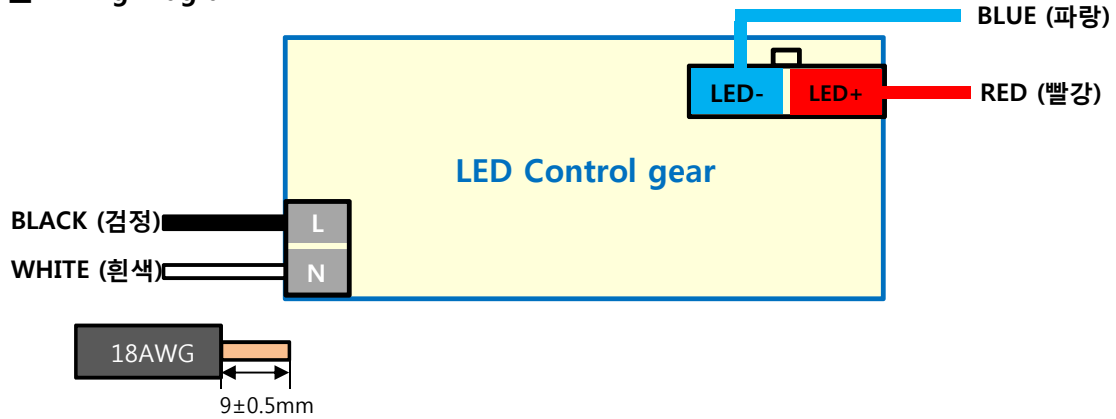
■ Case Material : PC

SOLUM Co., Ltd

150, Maeyoung-Ro, Youngtong-Gu, Suwon-Si, Gyeonggi-Do, Republic of Korea 443-743

 TEL: +82-1588-0502, www.solu-m.com

■ Wiring Diagram



| CNT (B Type) | |
|----------------------------|--------------------------|
| Input | Output |
| Terminal Block (Pitch 3.5) | CNT (Pitch 2.0mm, 1R 3P) |
| Wire 18AWG | Wire 22-26AWG |
| | |

| Connector | Housing | Wire |
|------------------------|------------------------|-------|
| SMW250-03A (yeonho) | SMH250-03A (yeonho) | 22AWG |
| A2515WV0-3P-D (JWT) | A2515H00-3P (JWT) | |

■ Rating Label Drawing

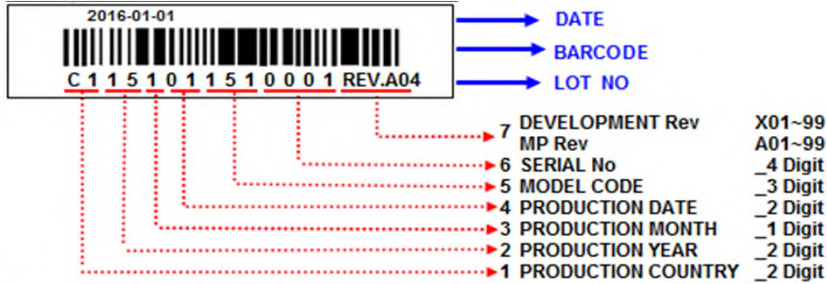


SOLUM Co., Ltd

150, Maeyoung-Ro, Youngtong-Gu, Suwon-Si, Gyeonggi-Do, Republic of Korea 443-743

TEL: +82-1588-0502, www.solu-m.com

Barcode Label



| Mean | 1.PLANT | 2. YEAR | 3. MONTH | 4. DATE | 5. CODE | 6. SERIAL | 7. Revision No |
|-------|---|---------|-----------|---------|---------|----------------|--|
| Digit | 2 | 2 | 1 | 2 | 3 | 4 | |
| EX. | C1 : DGSM C2 : Solytech C3 : IM C4 : Ap tech K1 : Korea | 00~99 | 1...9,A,B | 01~31 | 151 | 0001.. 9999 | X01~99 : DEVELOPMENT A01~99: MP |

Box Label

| | | | |
|----------------|-------------------------|-------|---------------------------------------|
| Material Code | ILB400N701N1B | | → USER Model Code |
| ITEM | PSDH400701B REV. A** | | → SOLUM Model Code |
| LOT No | ***** | MAKER | → SOLUM LOT NO & Quantity of Products |
| Quantity [PCS] | 84 | SOLUM | |
| EXP. Date | 20**.**.** ~ 20**.**.** | | → Product Date ~ After 5 years |
| | ***** | | → USER Barcode |

| Digit | Year | | | Month | | Date | | | Factory | | | Fixed | | |
|--------|--------|---|---|--------|---|--------------|---|---|---------|---|---|-------|---|---|
| | 1 | 2 | 3 | 4 | 5 | 6 | 7 | 8 | 9 | 0 | 1 | 2 | 3 | 4 |
| P | 0 | 1 | 0 | 1 | 0 | D | 0 | 0 | 1 | | | | | |
| N→2015 | | | | | | D : DGSM | | | | | | | | |
| P→2016 | 01~12月 | | | 01~31日 | | S : Solytech | | | | | | | | |
| Q→2017 | | | | | | M : IM | | | | | | | | |
| R→2018 | | | | | | A : Aptech | | | | | | | | |

| Digit | Quantity Per BOX | | | | | | | | | BOX Size | Serial No. | | | | Blank | Vender Code | | | | Blank | Year | | | Month | | | Date | | | Factory | | | Fixed | | |
|-------|------------------|---|---|---|---|---|---|---|---|-----------------------|------------|----|----|----|-------|-------------|----|----|----|-------|--------|--------------|----|--------|----|----|--------|----|----|----------|--|--|-------|--|--|
| | 1 | 2 | 3 | 4 | 5 | 6 | 7 | 8 | 9 | 10 | 11 | 12 | 13 | 14 | 15 | 16 | 17 | 18 | 19 | 20 | 21 | 22 | 23 | 24 | 25 | 26 | 27 | 28 | 29 | 30 | | | | | |
| | 0 | 0 | 0 | 0 | 0 | 0 | 0 | 1 | 0 | B | 0 | 0 | 1 | | E | 6 | 0 | 1 | | | | P | 0 | 1 | 0 | 1 | D | 0 | 0 | 1 | | | | | |
| | | | | | | | | | | A : Pallet B : BOX | 001~999 | | | | | | | | | | N→2015 | | | 01~12月 | | | 01~31日 | | | D : DGSM | | | | | |
| | | | | | | | | | | | | | | | | P→2016 | | | | | | S : Solytech | | | | | | | | | | | | | |
| | | | | | | | | | | | | | | | | Q→2017 | | | | | | M : IM | | | | | | | | | | | | | |
| | | | | | | | | | | | | | | | | R→2018 | | | | | | A : Aptech | | | | | | | | | | | | | |

SOLUM Co., Ltd

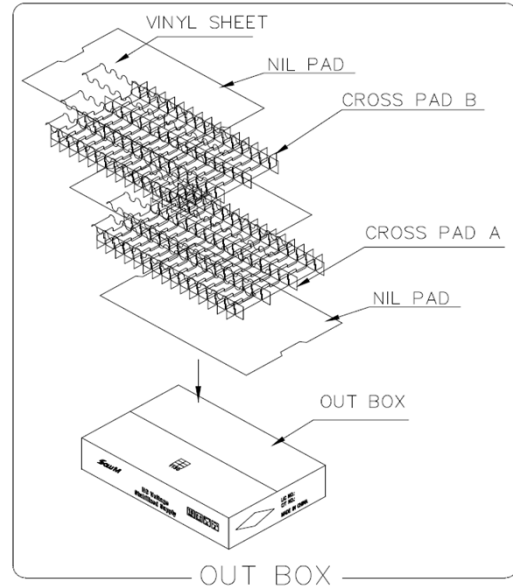
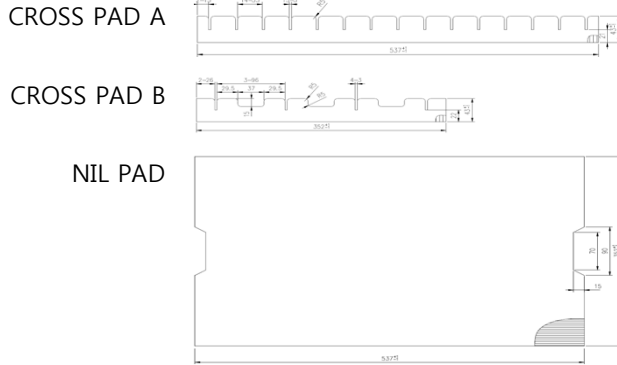
150, Maeyoung-Ro, Youngtong-Gu, Suwon-Si, Gyeonggi-Do, Republic of Korea 443-743

TEL: +82-1588-0502, www.solu-m.com

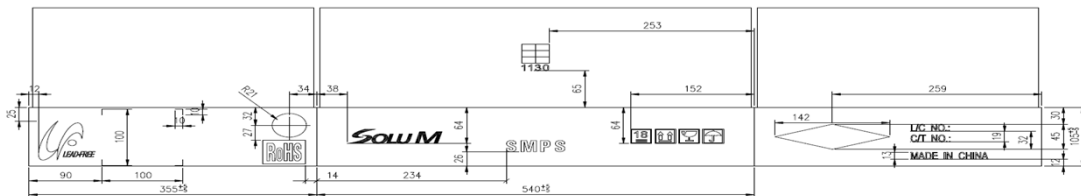
■ Packing Drawing

1. Out Box

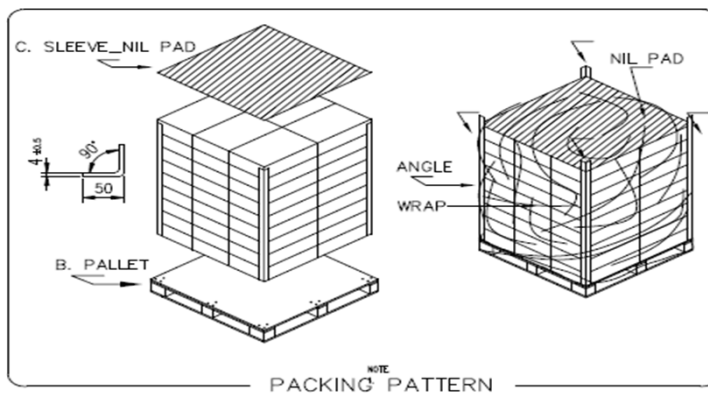
| | |
|------------|---------------------------|
| Dimmension | 540(L) 355(W) 105(H) [mm] |
| Weight | < 10Kg |
| Quantity | 84EA / 1Box |



OUT BOX



2. Pallet



SOLUM Co., Ltd

150, Maeyoung-Ro, Youngtong-Gu, Suwon-Si, Gyeonggi-Do, Republic of Korea 443-743

TEL: +82-1588-0502, www.solu-m.com