



■ **Model Name : PSDH450801A**
ILB450N801N1

- **Features :**
- Class II
 - Flickerless
 - Full-protection provided: OCP/OVP/OTP/SCP/OLP
 - Low Power Dissipation @ No Load : <1.0W
 - Wide Vout : 27 ~ 50Vdc
 - Meets safety requirements for lighting
 - Constant Current Type



SOLUM Co., Ltd

150, Maeyoung-Ro, Youngtong-Gu, Suwon-Si, Gyeonggi-Do, Republic of Korea 443-743

TEL: +82-1588-0502, www.solum-m.com

■ Electrical specification

No.	Item	Min	Typ	Max	Unit	Remark	
1	Nominal Input Voltage	220	-	240	Vac		
2	Wide Input Voltage	198	-	264	Vac		
3	Maximum Input Current	-	-	0.35	Arms		
4	Nominal Input Frequency	50	-	60	Hz		
5	Wide Input Frequency	47	-	63	Hz		
6	Power Factor (PF)	0.9	-	-		1)	
7	Total Harmonic Distortion (THD)	-	-	13	%	1)	
8	Inrush Current	-	-	50	A		
9	Output Voltage	27	36	50	Vdc		
10	Output Current	746	785	824	mA	@50Vdc Load	
		760	800	840	mA	@36Vdc Load	
		770	810	851	mA	@27Vdc Load	
11	Ripple Current	-	-	80	mA	20MHz Bandwidth, 2)	
12	Turn-on Delay	-	-	1,000	ms	@Cold Start, 3)	
13	Electrical Efficiency	80	88	-	%	2)	
14	No Load Power Dissipation	-	-	1	W	@ LED OPEN	
15	Output Open LED Protection	-	58	60	Vdc	Auto-recovery	
16	Output Short Circuit Protection	-	-	-		Auto-recovery	
17	Over-temperature Protection	-	-	-	°C	Auto-recovery	
18	Case Temperature (Tc)	-	-	80	°C		
19	Storage Temperature	-20	-	80	°C		
20	Operating Temperature	-20	-	50	°C		
21	Humidity	20	-	85	%		
22	Insulation Resistance	10	-	-	MΩ	500Vdc between Input & Output	
23	Differential Mode (Line to Line)	2.5	5	-	kV	4)	
24	Common Mode (Line to Ground)	8	-	-	kV	4) 5)	
25	Contact Discharge Test Voltage	2	4	-	kV	6)	
26	Air Discharge Test Voltage	4	8	-	kV	6) 7)	
27	Dielectric Withstand Voltage	Input to Output	3,750	-	-	Vac	Apply for 1 minute 8)
28		Input to Case	-	-	-	Vac	
29		Output to Case	-	-	-	Vdc	

SOLUM Co., Ltd

150, Maeyoung-Ro, Youngtong-Gu, Suwon-Si, Gyeonggi-Do, Republic of Korea 443-743

TEL: +82-1588-0502, www.solu-m.com

☞ Application Notes

- 1) Test Condition: 198/264Vac 50/60Hz Input, Typical LED Load, Ambient Temperature 25°C, Measure at the cable-end
- 2) Test Condition: 240Vac 60Hz Input, LED Max. Load, 30min Aging, Ambient Temperature 25°C
- 3) At least, Turn-On Time should be continued for 1sec.
- 4) Surge Specification above is higher than IEC/EN 61000-4-5 (Differential 1kV, Common 2kV)
- 5) The metal case of the LED driver must be connected with F.G
- 6) ESD Specification above meets IEC/EN 61000-4-2 Requirements (Contact 4kV, Air 8kV)
- 7) The metal case of the driver should be grounded.
- 8) Determined by Paragraph 34.1.2, UL1310 or Paragraph 8.4.2, UL8750, EN61347-1, EN61347-2-13

☞ Safety Standards

Including safety requirements above, the LED driver complies with the following safety standards:

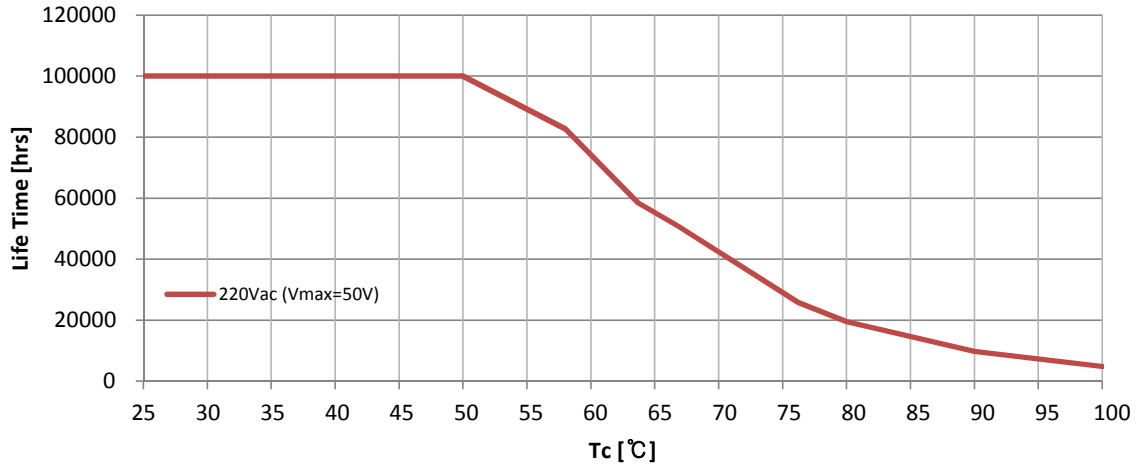
No.	Item	Description
1	UL8750, UL1310	UL Safety Standards (Class 2, Dry and Damp Location)
2	FCC Part 15, Class B	Conducted and Radiated Emission Test
3	IEC/EN 61347-1, IEC/EN 61347-2-13	IEC/EN Safety Standards
4	IEC/EN 55015	Conducted and Radiated Emission Test
5	IEC/EN 61000-3-2	Harmonic current emissions: Class C
6	IEC/EN 61000-3-3	Voltage Fluctuations and Flicker
7	IEC/EN 61000-4-2	Electrostatic Discharge (ESD): Contact 4kV, Air 8kV
8	IEC/EN 61000-4-3	Radio-frequency Electromagnetic Fields
9	IEC/EN 61000-4-4	Electrical Fast Transients (EFT)
10	IEC/EN 61000-4-5	Surges: Differential 1kV, Common 2kV
11	IEC/EN 61000-4-6	Injected Currents
12	IEC/EN 61000-4-8	Power Frequency Magnetic Fields
13	IEC/EN 61000-4-11	Voltage Dips and Short Interruptions

SOLUM Co., Ltd

150, Maeyoung-Ro, Youngtong-Gu, Suwon-Si, Gyeonggi-Do, Republic of Korea 443-743

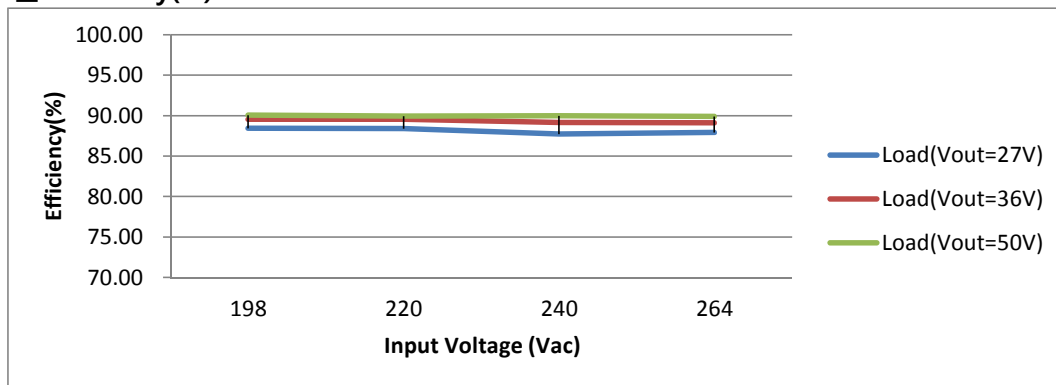
TEL: +82-1588-0502, www.solu-m.com

■ Life Time vs Tcase



Remark) LED Driver has a rated lifetime of 50,000 hours @ Tc ≤ 65°C

■ Efficiency(%)

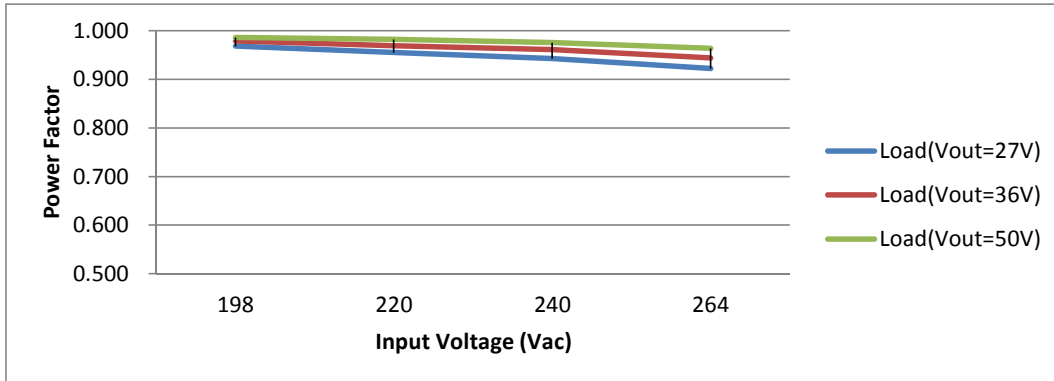


SOLUM Co., Ltd

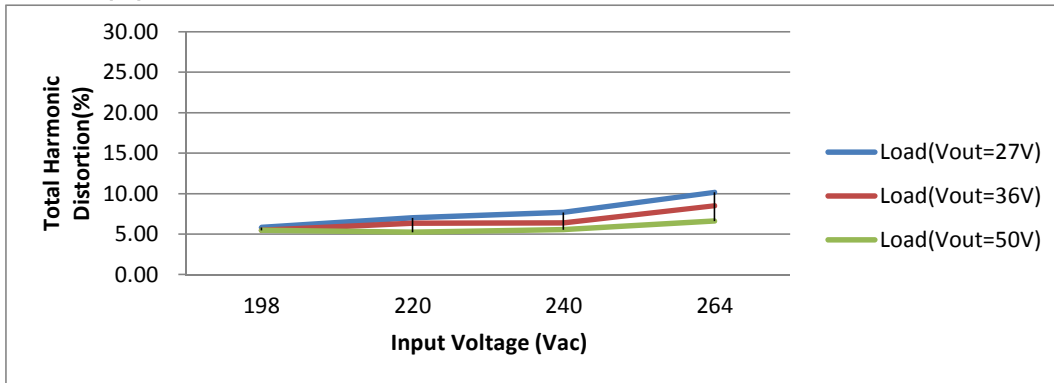
150, Maeyoung-Ro, Youngtong-Gu, Suwon-Si, Gyeonggi-Do, Republic of Korea 443-743

TEL: +82-1588-0502, www.solu-m.com

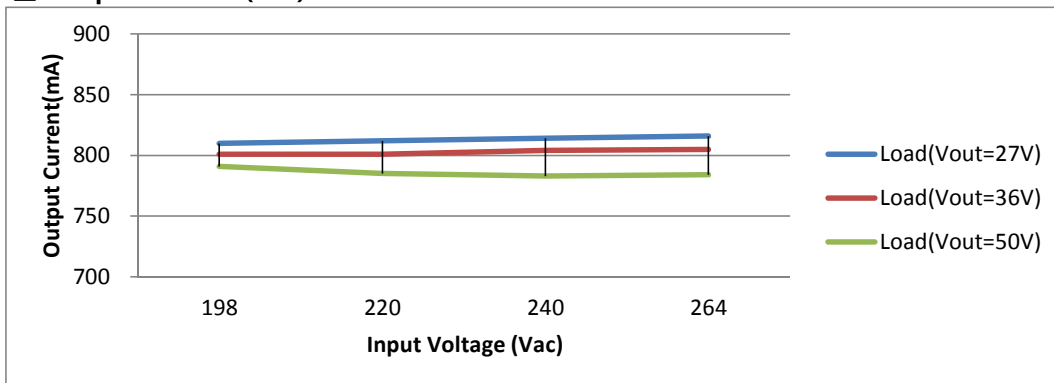
■ Power Factor



■ THD(%)



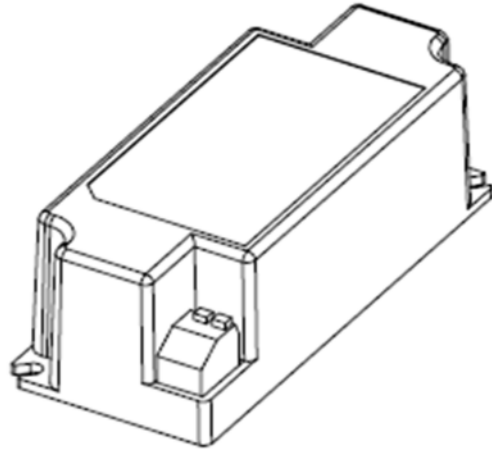
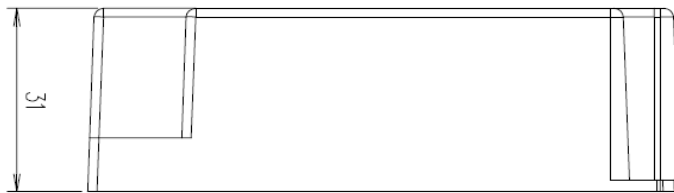
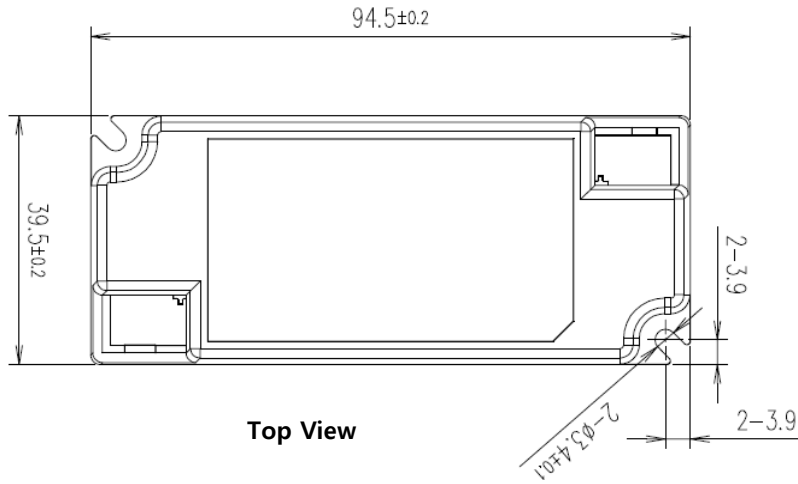
■ Output Current(mA)



SOLUM Co., Ltd

150, Maeyoung-Ro, Youngtong-Gu, Suwon-Si, Gyeonggi-Do, Republic of Korea 443-743

TEL: +82-1588-0502, www.solu-m.com

■ Mechanical Specification

■ Enclosure Size

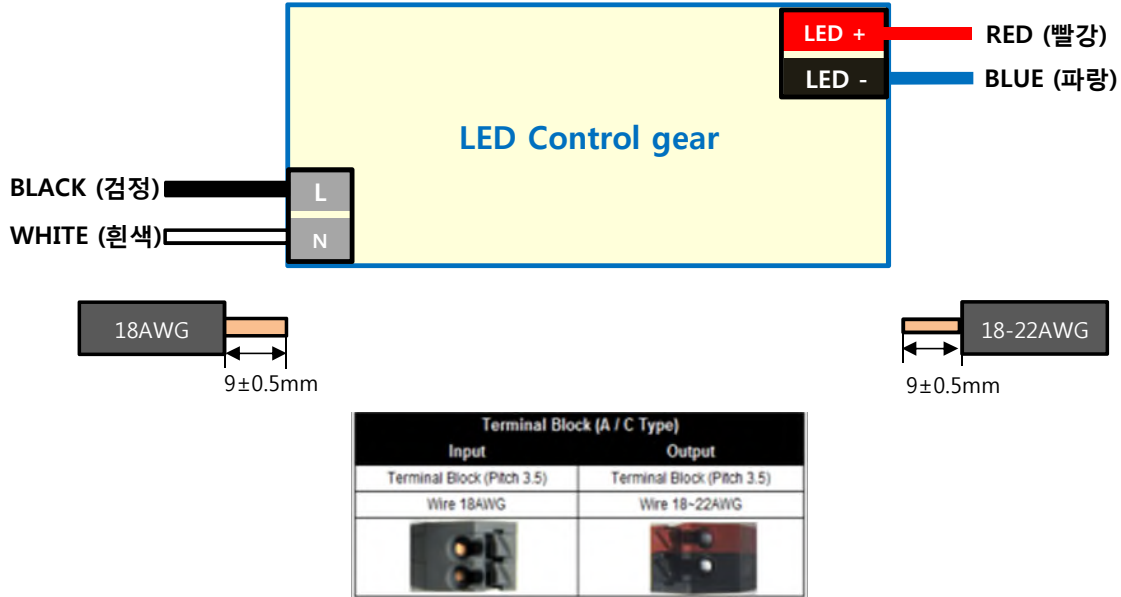
Unit	Width	Length	Height	Mount Length	Overall Length
mm	39.5	94.5	31.0	86.7	94.5
inch	1.56	3.72	1.22	3.41	3.72

■ Case Material : PC
SOLUM Co., Ltd

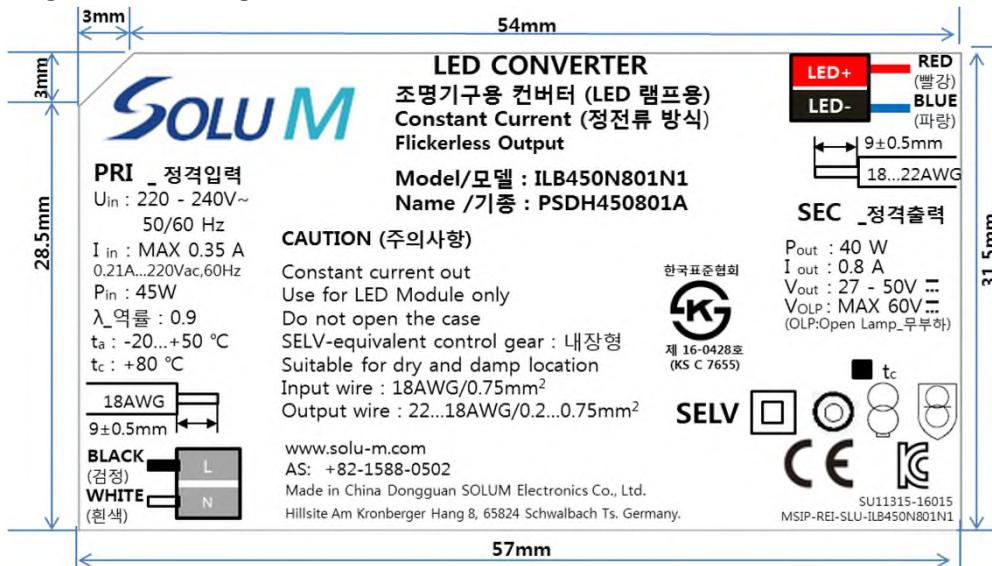
150, Maeyoung-Ro, Youngtong-Gu, Suwon-Si, Gyeonggi-Do, Republic of Korea 443-743

 TEL: +82-1588-0502, www.solu-m.com

■ Wiring Diagram



■ Rating Label Drawing



SOLUM Co., Ltd

150, Maeyoung-Ro, Youngtong-Gu, Suwon-Si, Gyeonggi-Do, Republic of Korea 443-743

TEL: +82-1588-0502, www.solu-m.com

Barcode Label

Mean	1.PLANT	2. YEAR	3. MONTH	4. DATE	5. CODE	6. SERIAL	7. Revision No
Digit	2	2	1	2	3	4	
EX.	C1 : DGSM C2 : Solytech C3 : IM C4 : Ap tech K1 : Korea	00~99	1...9,A,B	01~31	230	0001.. 9999	X01~99 : DEVELOPMENT A01~99: MP



→ DATE
 → BARCODE
 → LOTNO

- 7 DEVELOPMENT Rev X01~99
- MP Rev A01~99
- 6 SERIAL No _4 Digit
- 5 MODEL CODE _3 Digit
- 4 PRODUCTION DATE _2 Digit
- 3 PRODUCTION MONTH _1 Digit
- 2 PRODUCTION YEAR _2 Digit
- 1 PRODUCTION COUNTI _2 Digit

Box Label

Material Code	ILB450N801N1		→ USER Model Code
ITEM	PSDH450801A REV. A**		→ SOLUM Model Code
LOT No	*****	MAKER	→ SOLUM LOT NO & Quantity of Products
Quantity [PCS]	84	SOLUM	
EXP. Date	20**.**.* ~ 20**.**.*		→ Product Date ~ After 5 years
	 *****		→ USER Barcode

Digit	Year	Month	Date	Factory	Fixed			
	1	2	3	4	5	6	7	8
P	0	1	0	1	D	0	0	1
N→2015	01~12月		01~31日		D : DGSM			
P→2016					S : Solytech			
Q→2017					M : IM			
R→2018					A : Aptech			

Digit	Quantity Per BOX									BOX Size	Serial No.	Blank	Vender Code	Blank	Year	Month	Date	Factory	Fixed										
	1	2	3	4	5	6	7	8	9	10	11	12	13	14	15	16	17	18	19	20	21	22	23	24	25	26	27	28	29
0	0	0	0	0	0	0	0	1	0	B	0	0	1	E	6	0	1				P	0	1	0	1	D	0	0	1
										A : Pallet B : BOX	001~999				N→2015 P→2016 Q→2017 R→2018	01~12月 01~31日		D : DGSM S : Solytech M : IM A : Aptech											

SOLUM Co., Ltd

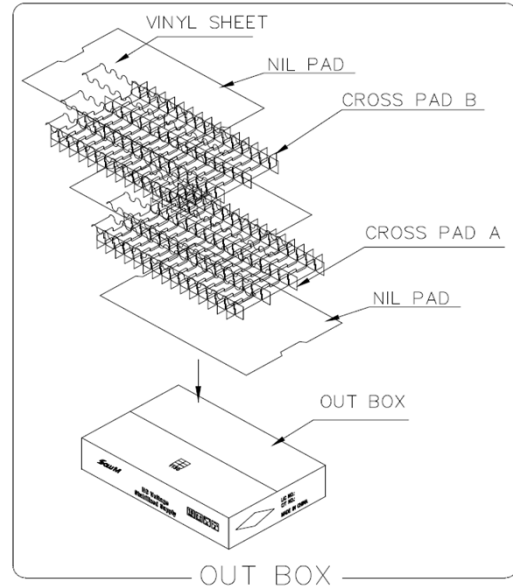
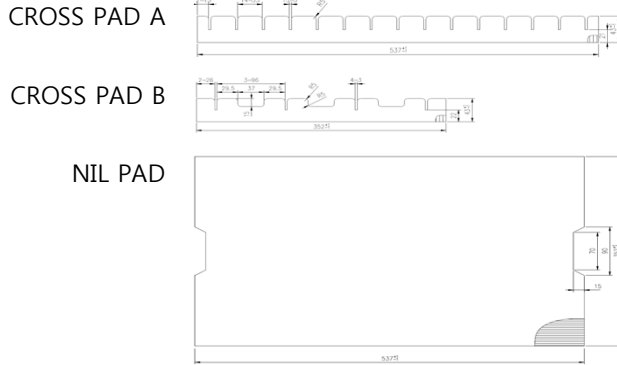
150, Maeyoung-Ro, Youngtong-Gu, Suwon-Si, Gyeonggi-Do, Republic of Korea 443-743

TEL: +82-1588-0502, www.solu-m.com

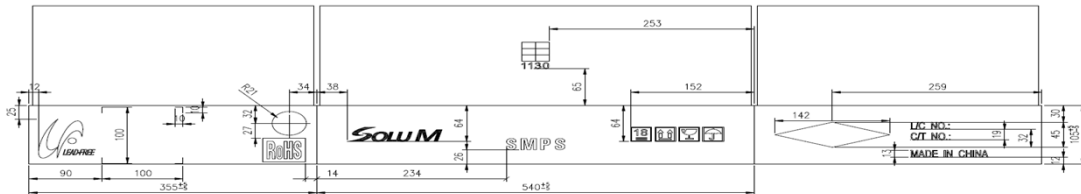
■ Packing Drawing

1. Out Box

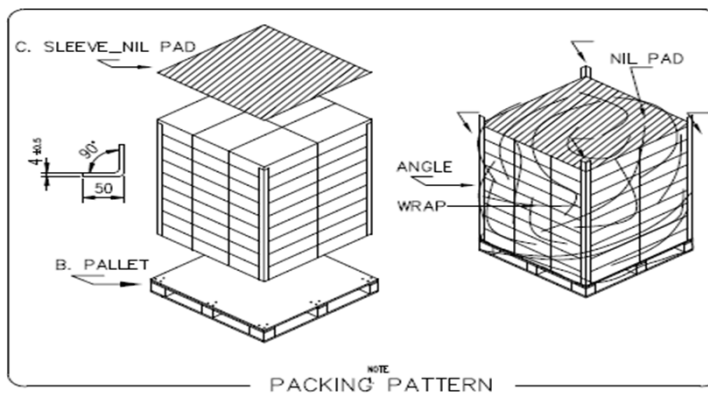
Dimension	540(L) 355(W) 105(H) [mm]
Weight	< 10Kg
Quantity	84EA / 1Box



OUT BOX



2. Pallet



SOLUM Co., Ltd

150, Maeyoung-Ro, Youngtong-Gu, Suwon-Si, Gyeonggi-Do, Republic of Korea 443-743

TEL: +82-1588-0502, www.solu-m.com