



**Model Name : PSDH510102A**  
**ILB510N102N1**

**Features :**

- Class II
- Flickerless
- Full-protection provided: OCP/OVP/OTP/SCP/OLP
- Low Power Dissipation @ No Load : <1.0W
- Wide Vout : 23 ~ 44Vdc
- Meets safety requirements for lighting
- Constant Current Type

한국표준협회



제 16-0428호  
(KS C 7655)



**SOLUM Co., Ltd**

150, Maeyoung-Ro, Youngtong-Gu, Suwon-Si, Gyeonggi-Do, Republic of Korea 443-743

TEL: +82-1588-0502, www.solu-m.com

**■ Electrical specification**

No.	Item	Min	Typ	Max	Unit	Remark	
1	Nominal Input Voltage	220	-	240	Vac		
2	Wide Input Voltage	198	-	264	Vac		
3	Maximum Input Current	-	-	0.35	Arms		
4	Nominal Input Frequency	50	-	60	Hz		
5	Wide Input Frequency	47	-	63	Hz		
6	Power Factor (PF)	0.9	-	-		1)	
7	Total Harmonic Distortion (THD)	-	-	13	%	1)	
8	Inrush Current	-	-	50	A		
9	Output Voltage	23	36	44	Vdc		
10	Output Current	988	1,040	1,092	mA	@44Vdc Load	
		1002	1,055	1,108	mA	@36Vdc Load	
		1018	1,072	1,126	mA	@23Vdc Load	
11	Ripple Current	-	-	105	mA	20MHz Bandwidth, 2)	
12	Turn-on Delay	-	-	1,000	ms	@Cold Start, 3)	
13	Electrical Efficiency	87	89	-	%	2)	
14	No Load Power Dissipation	-	-	1	W	@ LED OPEN	
15	Output Open LED Protection	-	-	60	Vpeak	Auto-recovery	
16	Output Short Circuit Protection	-	-	-		Auto-recovery	
17	Over-temperature Protection	-	-	-	°C	Auto-recovery	
18	Case Temperature (Tc)			85	°C		
19	Storage Temperature	-20	25	85	°C		
20	Operating Temperature	-20	25	45	°C		
21	Humidity	20	-	85	%		
22	Insulation Resistance	10			MΩ	500Vdc between Input & Output	
23	Differential Mode (Line to Line)	2.5	5		kV	4)	
24	Common Mode (Line to Ground)	8			kV	4) 5)	
25	Contact Discharge Test Voltage	2	4		kV	6)	
26	Air Discharge Test Voltage	4	8		kV	6) 7)	
27	Dielectric Withstand Voltage	Input to Output	3,750		Vac	Apply for 1 minute 8)	
28		Input to Case	-	-	-		Vac
29		Output to Case	-	-	-		Vdc

**SOLUM Co., Ltd**

150, Maeyoung-Ro, Youngtong-Gu, Suwon-Si, Gyeonggi-Do, Republic of Korea 443-743

TEL: +82-1588-0502, www.solu-m.com

**☞ Application Notes**

- 1) Test Condition: 198/264Vac 50/60Hz Input, Typical LED Load, Ambient Temperature 25°C, Measure at the cable-end
- 2) Test Condition: 240Vac 60Hz Input, LED Max. Load, 30min Aging, Ambient Temperature 25°C
- 3) At least, Turn-On Time should be continued for 1sec.
- 4) Surge Specification above is higher than IEC/EN 61000-4-5 (Differential 1kV, Common 2kV)
- 5) The metal case of the LED driver must be connected with F.G
- 6) ESD Specification above meets IEC/EN 61000-4-2 Requirements (Contact 4kV, Air 8kV)
- 7) The metal case of the driver should be grounded.
- 8) Determined by Paragraph 34.1.2, UL1310 or Paragraph 8.4.2, UL8750, EN61347-1, EN61347-2-13

**☞ Safety Standards**

Including safety requirements above, the LED driver complies with the following safety standards:

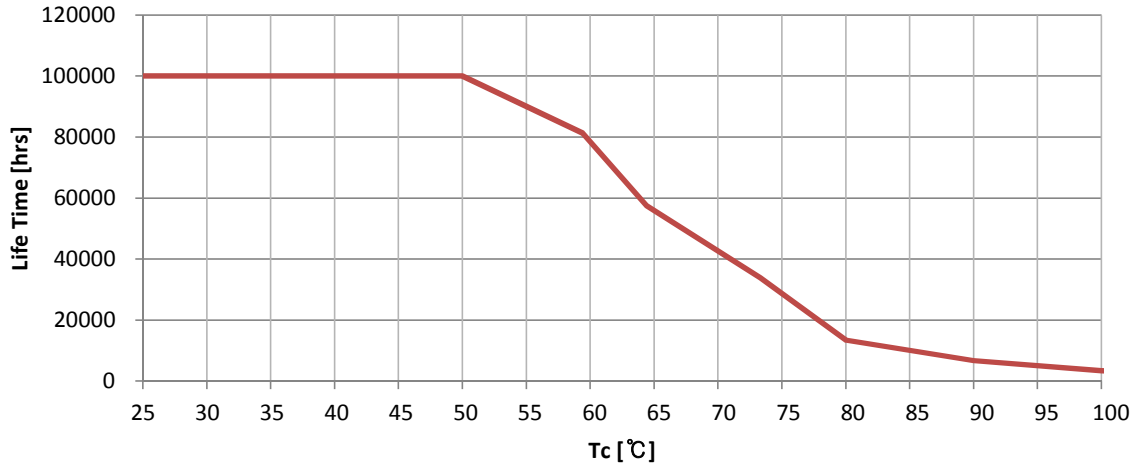
No.	Item	Description
1	K61347-1, K61347-2-13, K62384	KC Safety Standards
2	FCC Part 15, Class B	Conducted and Radiated Emission Test
3	IEC/EN 61347-1, IEC/EN 61347-2-13	IEC/EN Safety Standards
4	IEC/EN 55015	Conducted and Radiated Emission Test
5	IEC/EN 61000-3-2	Harmonic current emissions: Class C
6	IEC/EN 61000-3-3	Voltage Fluctuations and Flicker
7	IEC/EN 61000-4-2	Electrostatic Discharge (ESD): Contact 4kV, Air 8kV
8	IEC/EN 61000-4-3	Radio-frequency Electromagnetic Fields
9	IEC/EN 61000-4-4	Electrical Fast Transients (EFT)
10	IEC/EN 61000-4-5	Surges: Differential 1kV, Common 2kV
11	IEC/EN 61000-4-6	Injected Currents
12	IEC/EN 61000-4-8	Power Frequency Magnetic Fields
13	IEC/EN 61000-4-11	Voltage Dips and Short Interruptions

**SOLUM Co., Ltd**

150, Maeyoung-Ro, Youngtong-Gu, Suwon-Si, Gyeonggi-Do, Republic of Korea 443-743

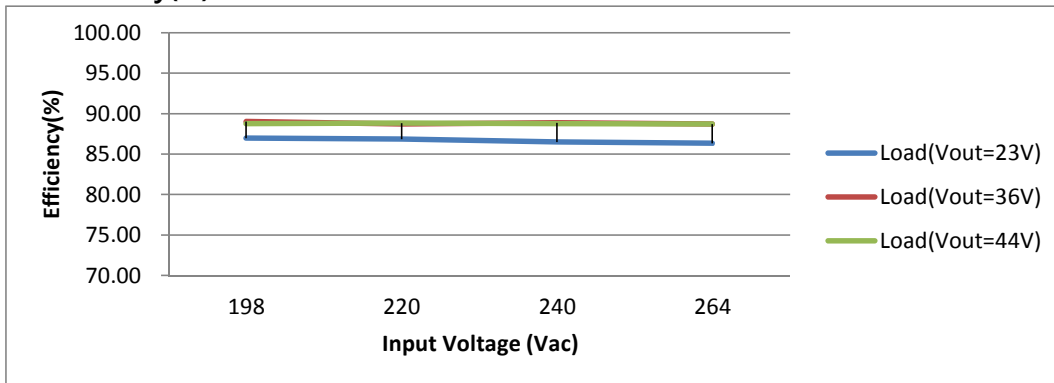
TEL: +82-1588-0502, [www.solu-m.com](http://www.solu-m.com)

■ Life Time vs Tcase



Remark) LED Driver has a rated lifetime of 50,000 hours @ Tc ≤ 65°C

■ Efficiency(%)

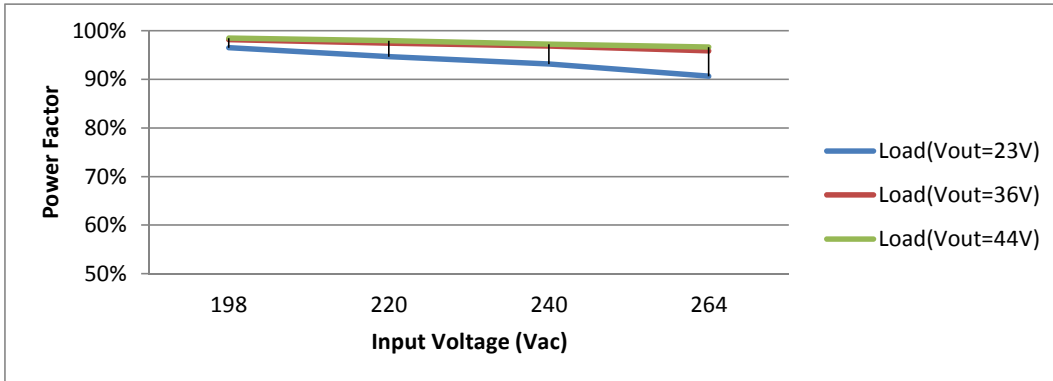


**SOLUM Co., Ltd**

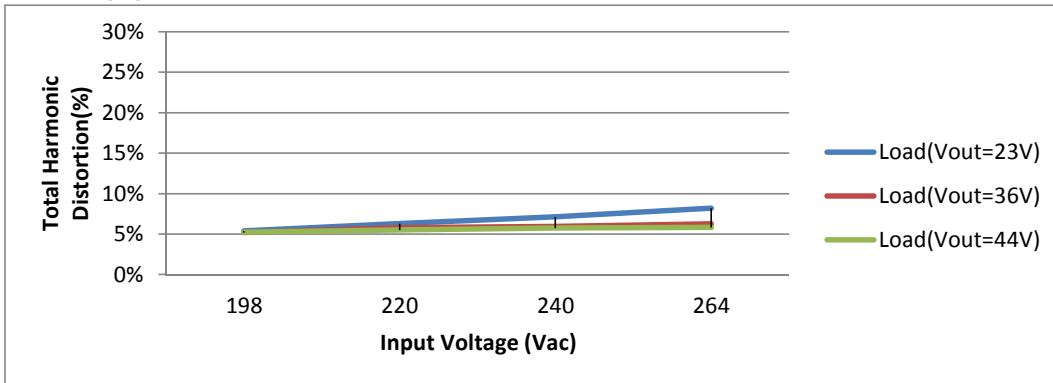
150, Maeyoung-Ro, Youngtong-Gu, Suwon-Si, Gyeonggi-Do, Republic of Korea 443-743

TEL: +82-1588-0502, www.solu-m.com

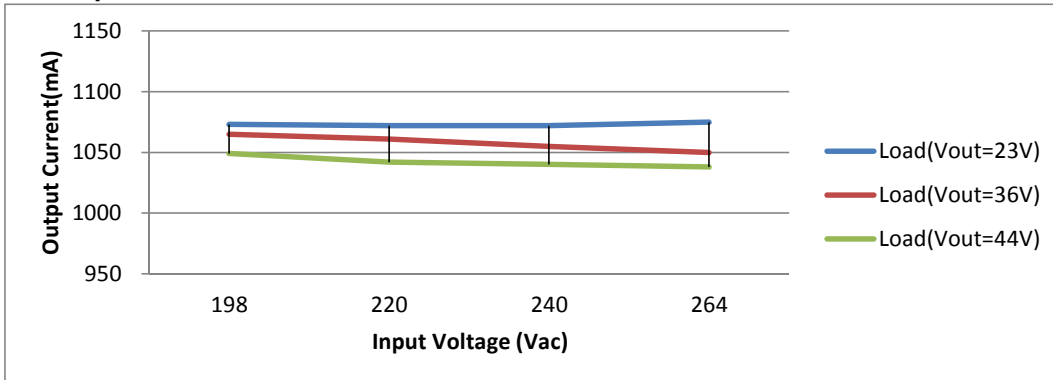
■ Power Factor



■ THD(%)



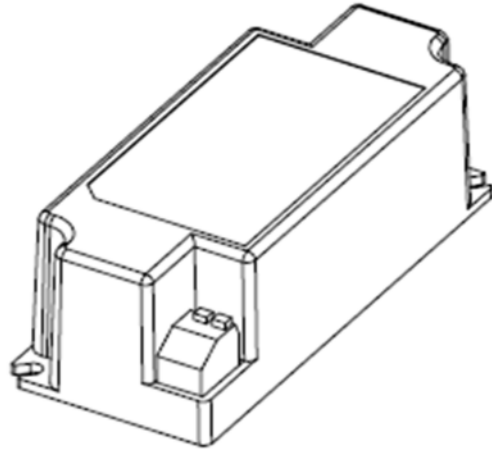
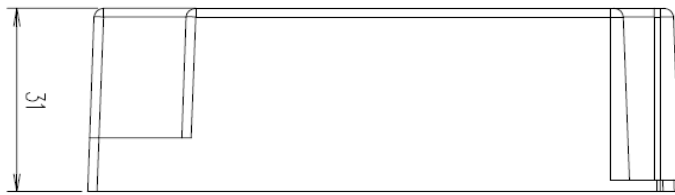
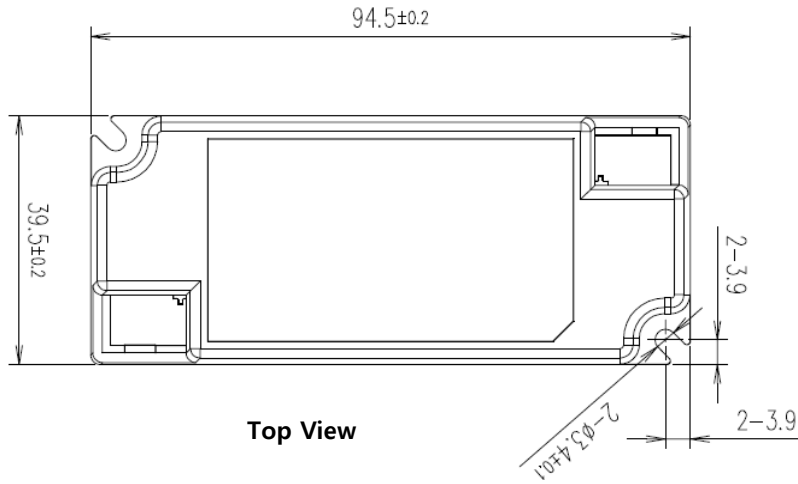
■ Output Current(mA)



**SOLUM Co., Ltd**

150, Maeyoung-Ro, Youngtong-Gu, Suwon-Si, Gyeonggi-Do, Republic of Korea 443-743

TEL: +82-1588-0502, [www.solu-m.com](http://www.solu-m.com)

**■ Mechanical Specification**

**■ Enclosure Size**

Unit	Width	Length	Height	Mount Length	Overall Length
mm	39.5	94.5	31.0	86.7	94.5
inch	1.56	3.72	1.22	3.41	3.72

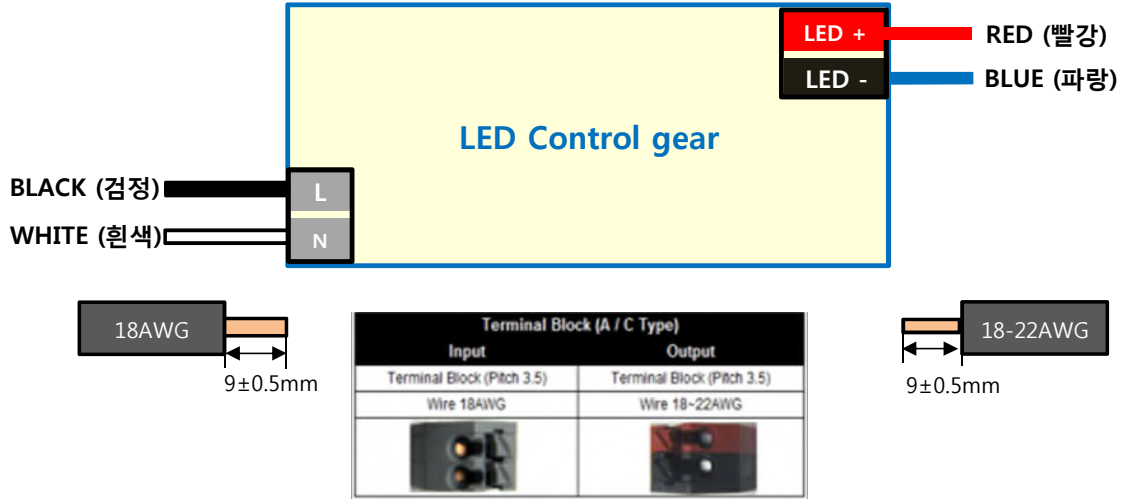
**■ Case Material : PC**

## SOLUM Co., Ltd

150, Maeyoung-Ro, Youngtong-Gu, Suwon-Si, Gyeonggi-Do, Republic of Korea 443-743

TEL: +82-1588-0502, [www.solu-m.com](http://www.solu-m.com)

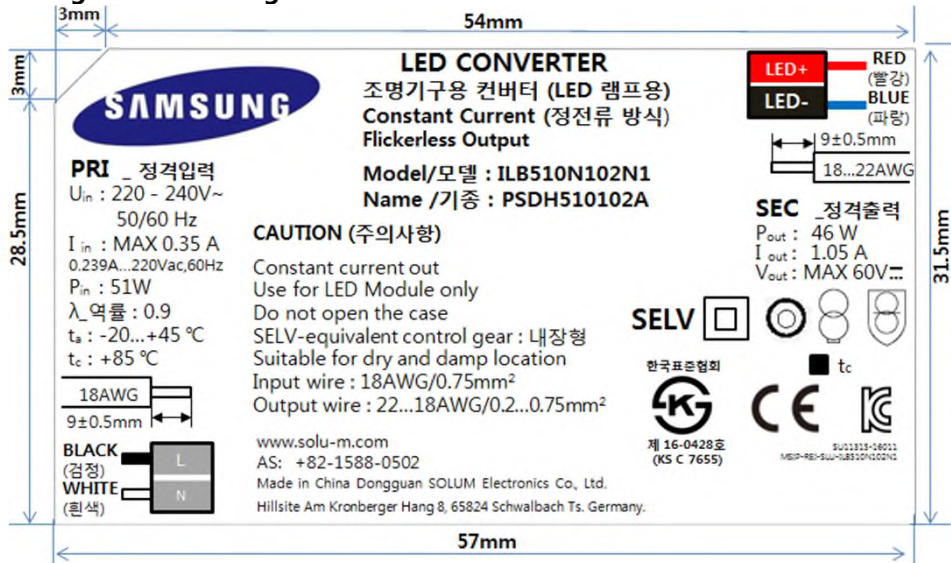
### ■ Wiring Diagram



### ※ Caution

- 1) Do not detach input and output wires after complete installation.
- 2) Use wire certified by CB, KC.
- 3) Wires should be less than 3m when installed in final equipment.

### ■ Rating Label Drawing



## SOLUM Co., Ltd

150, Maeyoung-Ro, Youngtong-Gu, Suwon-Si, Gyeonggi-Do, Republic of Korea 443-743

TEL: +82-1588-0502, www.solu-m.com

■ Barcode Label



DATE  
 BARCODE  
 LOT NO

- 7 DEVELOPMENT Rev X01~99
- MP Rev A01~99
- 6 SERIAL No \_4 Digit
- 5 MODEL CODE \_3 Digit
- 4 PRODUCTION DATE \_2 Digit
- 3 PRODUCTION MONTH \_1 Digit
- 2 PRODUCTION YEAR \_2 Digit
- 1 PRODUCTION COUNTRY \_2 Digit

Mean	1.PLANT	2. YEAR	3. MONTH	4. DATE	5. CODE	6. SERIAL	7. Revision No
Digit	2	2	1	2	3	4	
EX.	C1 : DGSM C2 : Solytech C3 : IM C4 : Ap tech K1 : Korea	00~99	1...9,A,B	01~31	222	0001.. 9999	X01~99 : DEVELOPMENT  A01~99: MP

■ Box Label

Material Code	PSDH510102A		→ USER Model Code
ITEM	ILB510N102N1 REV. A**		→ SOLUM Model Code
LOT No	*****	MAKER	→ SOLUM LOT NO & Quantity of Products
Quantity [PCS]	84	SOLUM	
EXP. Date	20**.**.** ~ 20**.**.**		→ Product Date ~ After 5 years
	000000084B001 E601 P0315D001		→ USER Barcode

Digit	Year			Month		Date		Factory		Fixed	
	1	2	3	4	5	6	7	8	9		
P	0	1	0	1		D	0	0	1		
N→2015	01~12月		01~31日		D : DGSM						
P→2016					S : Solytech						
Q→2017					M : IM						
R→2018					A : Aptech						

Digit	Quantity Per BOX									BOX Size	Serial No.				Blank	Vender Code				Blank	Year				Month				Date				Factory				Fixed			
	1	2	3	4	5	6	7	8	9	10	11	12	13	14	15	16	17	18	19	20	21	22	23	24	25	26	27	28	29	30										
	0	0	0	0	0	0	0	1	0	B	0	0	1		E	6	0	1					P	0	1	0	1	D	0	0	1									
										A : Pallet B : BOX	001~999										01~12月				01~31日				D : DGSM S : Solytech M : IM A : Aptech											

### SOLUM Co., Ltd

150, Maeyoung-Ro, Youngtong-Gu, Suwon-Si, Gyeonggi-Do, Republic of Korea 443-743

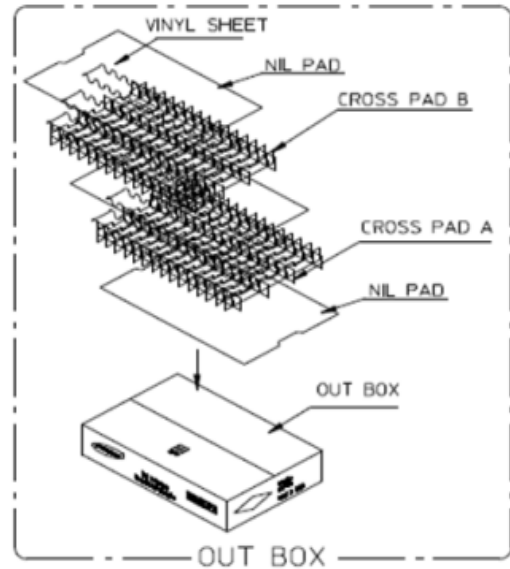
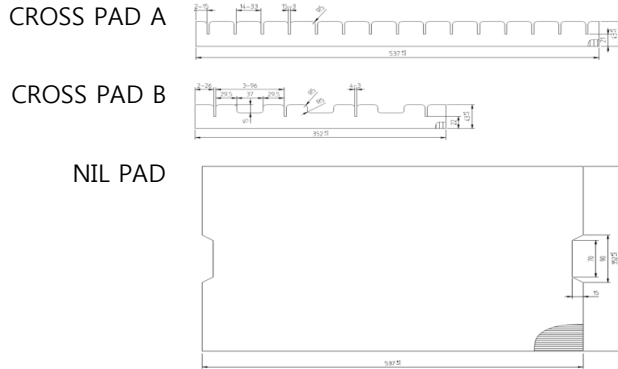
TEL: +82-1588-0502, www.solu-m.com



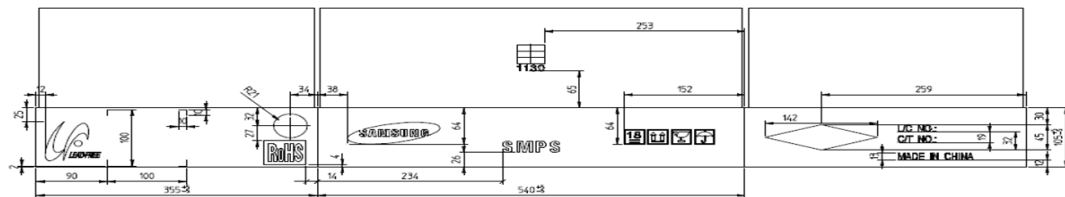
### ■ Packing Drawing

#### 1. Out Box

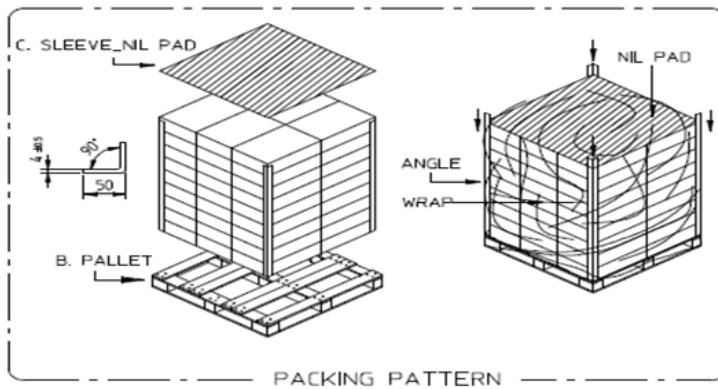
Dimension	540(L) 355(W) 105(H) [mm]
Weight	< 10Kg
Quantity	84EA / 1Box



#### OUT BOX



#### 2. Pallet



**SOLUM Co., Ltd**

150, Maeyoung-Ro, Youngtong-Gu, Suwon-Si, Gyeonggi-Do, Republic of Korea 443-743

TEL: +82-1588-0502, www.solu-m.com