

■ **Model Name : PSDV250701B**  
**ILW250N701N1B**

■ **Features :**

- Class II
- UL8750 / UL1310 Class 2
- Flickerless
- Full-protection provided: OCP/OVP/OTP/SCP/OLP
- Low Power Dissipation @ No Load : <1.0W
- Wide Vout : 23 ~ 34Vdc
- Meets safety requirements for lighting
- Constant Current Type

한국표준협회



## SOLUM Co., Ltd

150, Maeyoung-Ro, Youngtong-Gu, Suwon-Si, Gyeonggi-Do, Republic of Korea 443-743

TEL: +82-1588-0502, www.solu-m.com

**■ Electrical specification**

No.	Item	Min	Typ	Max	Unit	Remark
1	Nominal Input Voltage	120		240	Vac	
2	Wide Input Voltage	108		264	Vac	
3	Maximum Input Current			0.35	Arms	
4	Nominal Input Frequency	50		60	Hz	
5	Wide Input Frequency	47		63	Hz	
6	Power Factor (PF)	0.9				1)
7	Total Harmonic Distortion (THD)			13	%	1)
8	Inrush Current	Meets NEMA 410				2)
9	Output Voltage	23	30	34	Vdc	
10	Output Current	641	675	709	mA	@240Vac, 34Vdc Load
		646	680	714	mA	@240Vac, 30Vdc Load
		656	690	725	mA	@240Vac, 23Vdc Load
		660	695	730	mA	@120Vac, 34Vdc Load
		665	700	735	mA	@120Vac, 30Vdc Load
		670	705	740	mA	@120Vac, 23Vdc Load
11	Ripple Current			70	mA	20MHz Bandwidth, 3)
12	Turn-on Delay			1,000	ms	@Cold Start, 4)
13	Electrical Efficiency	80	86		%	3)
14	No Load Power Dissipation			1	W	@ LED OPEN
15	Output Open LED Protection		42.5	50	Vdc	Auto-recovery
16	Output Short Circuit Protection	-	-	-	-	Auto-recovery
17	Over-temperature Protection	-	-	-	°C	Auto-recovery
18	Case Temperature (Tc)			80	°C	
19	Storage Temperature	-20		80	°C	
20	Operating Temperature	-20		50	°C	
21	Humidity	20		85	%	
22	Insulation Resistance	10			MΩ	500Vdc between Input & Output
23	Differential Mode (Line to Line)	2.5	5		kV	5)
24	Common Mode (Line to Ground)	8			kV	5) 6)
25	Contact Discharge Test Voltage	2	4		kV	7)
26	Air Discharge Test Voltage	4	8		kV	7) 8)

## SOLUM Co., Ltd

150, Maeyoung-Ro, Youngtong-Gu, Suwon-Si, Gyeonggi-Do, Republic of Korea 443-743

TEL: +82-1588-0502, www.solu-m.com

No.	Item		Min	Typ	Max	Unit	Remark
27	Dielectric	Input to Output	3,750			Vac	Apply for 1 minute 9)
28	Withstand	Input to Case	-			Vac	
29	Voltage	Output to Case	-			Vdc	

#### Application Notes

- 1) Test Condition: 108/264Vac 50/60Hz Input, Typical LED Load, Ambient Temperature 25°C, Measure at the cable-end
- 2) Input 120Vac, < 192A<sub>peak</sub>@1.2ms, < 74I<sup>2</sup>t
- 3) Test Condition: 240Vac 60Hz Input, LED Max. Load, 30min Aging, Ambient Temperature 25°C
- 4) At least, Turn-On Time should be continued for 1sec.
- 5) Surge Specification above is higher than IEC/EN 61000-4-5 (Differential 1kV, Common 2kV)
- 6) The metal case of the LED driver must be connected with F.G
- 7) ESD Specification above meets IEC/EN 61000-4-2 Requirements (Contact 4kV, Air 8kV)
- 8) The metal case of the driver should be grounded.
- 9) Determined by Paragraph 34.1.2, UL1310 or Paragraph 8.4.2, UL8750, EN61347-1, EN61347-2-13

#### Safety Standards

Including safety requirements above, the LED driver complies with the following safety standards:

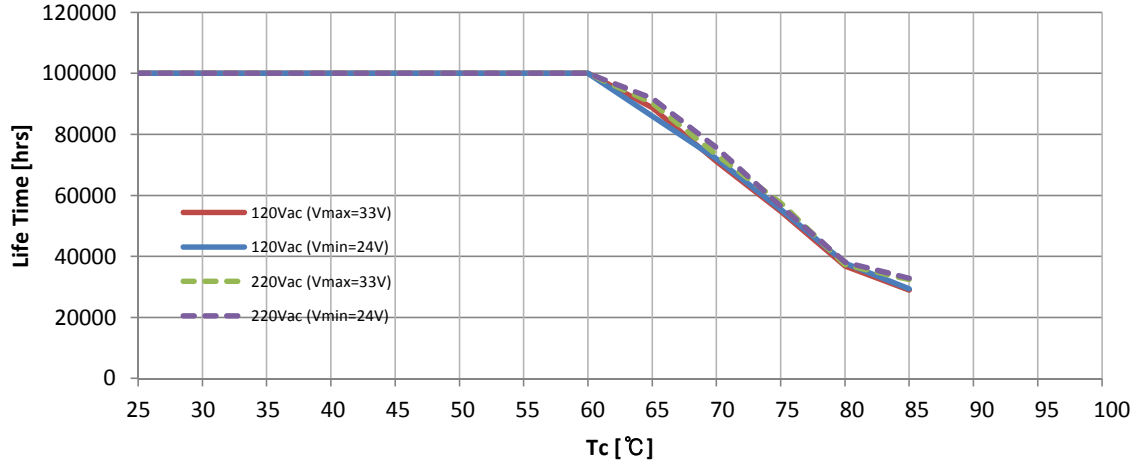
No.	Item	Description
1	UL8750, UL1310	UL Safety Standards (Class 2, Dry and Damp Location)
2	FCC Part 15, Class B	Conducted and Radiated Emission Test
3	IEC/EN 61347-1, IEC/EN 61347-2-13	IEC/EN Safety Standards
4	IEC/EN 55015	Conducted and Radiated Emission Test
5	IEC/EN 61000-3-2	Harmonic current emissions: Class C
6	IEC/EN 61000-3-3	Voltage Fluctuations and Flicker
7	IEC/EN 61000-4-2	Electrostatic Discharge (ESD): Contact 4kV, Air 8kV
8	IEC/EN 61000-4-3	Radio-frequency Electromagnetic Fields
9	IEC/EN 61000-4-4	Electrical Fast Transients (EFT)
10	IEC/EN 61000-4-5	Surges: Differential 1kV, Common 2kV
11	IEC/EN 61000-4-6	Injected Currents
12	IEC/EN 61000-4-8	Power Frequency Magnetic Fields
13	IEC/EN 61000-4-11	Voltage Dips and Short Interruptions

## SOLUM Co., Ltd

150, Maeyoung-Ro, Youngtong-Gu, Suwon-Si, Gyeonggi-Do, Republic of Korea 443-743

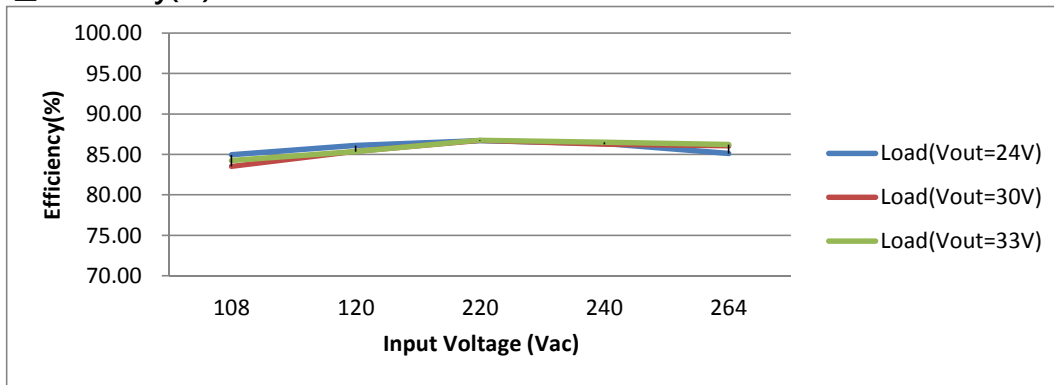
TEL: +82-1588-0502, www.solu-m.com

■ Life Time vs Tcase



Remark) LED Driver has a rated lifetime of 50,000 hours @ Tc ≤ 70°C

■ Efficiency(%)

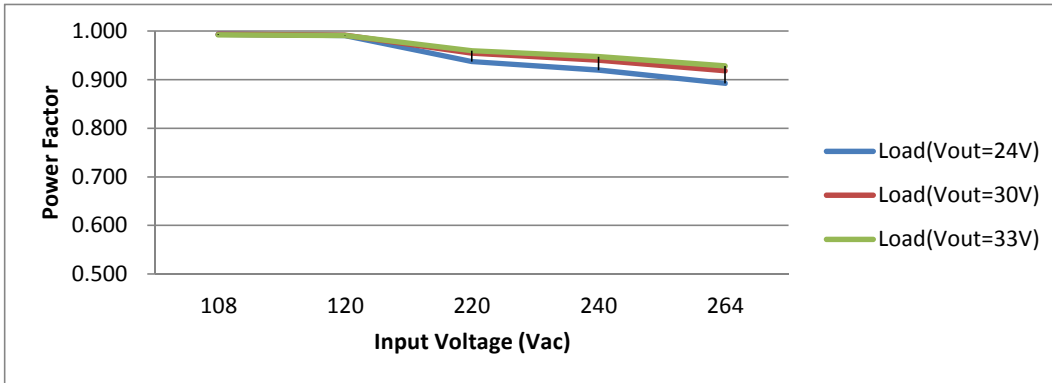


# SOLUM Co., Ltd

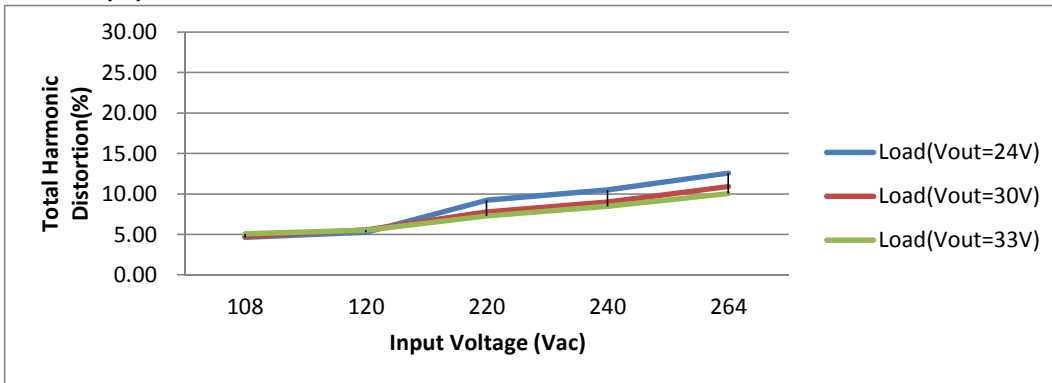
150, Maeyoung-Ro, Youngtong-Gu, Suwon-Si, Gyeonggi-Do, Republic of Korea 443-743

TEL: +82-1588-0502, www.solu-m.com

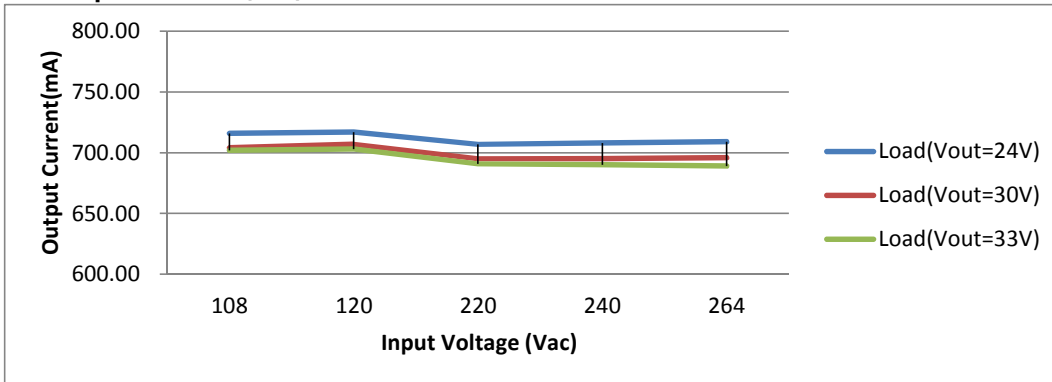
■ Power Factor



■ THD(%)



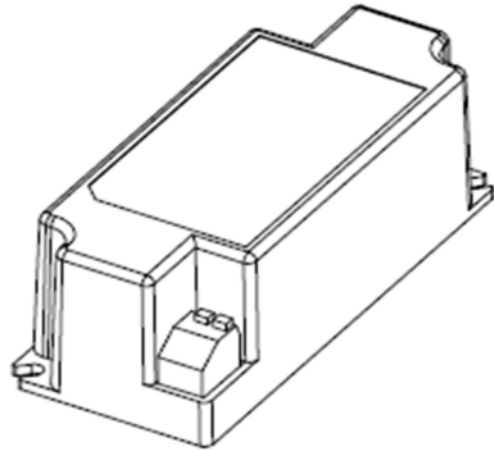
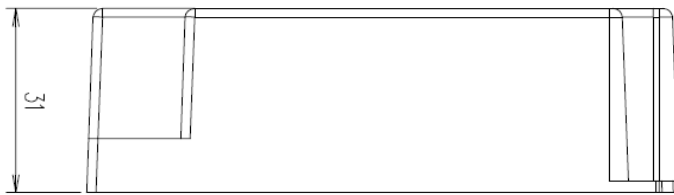
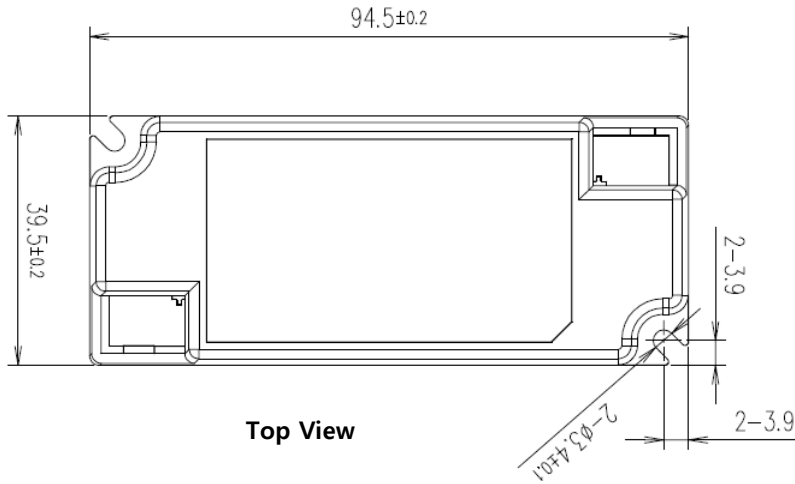
■ Output Current(mA)



# SOLUM Co., Ltd

150, Maeyoung-Ro, Youngtong-Gu, Suwon-Si, Gyeonggi-Do, Republic of Korea 443-743

TEL: +82-1588-0502, [www.solu-m.com](http://www.solu-m.com)

**■ Mechanical Specification**

**■ Enclosure Size**

Unit	Width	Length	Height	Mount Length	Overall Length
mm	39.5	94.5	31.0	86.7	94.5
inch	1.56	3.72	1.22	3.41	3.72

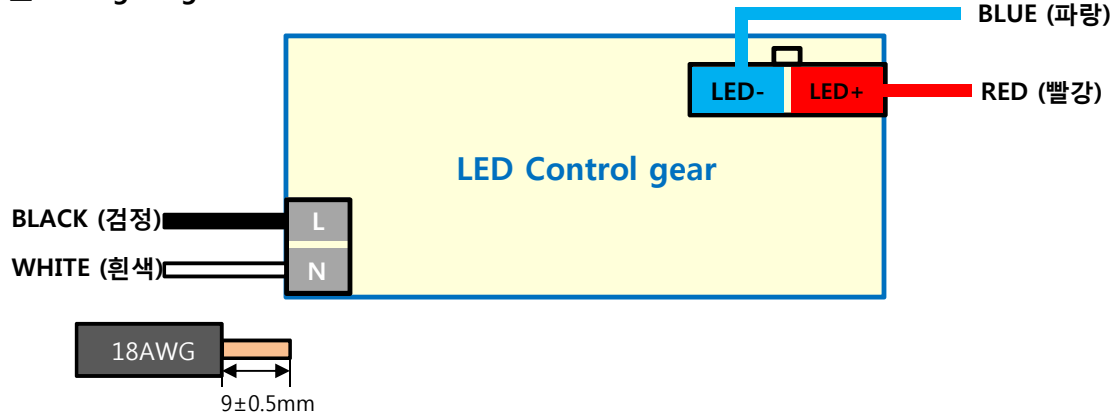
**■ Case Material : PC**

# SOLUM Co., Ltd

150, Maeyoung-Ro, Youngtong-Gu, Suwon-Si, Gyeonggi-Do, Republic of Korea 443-743

 TEL: +82-1588-0502, [www.solu-m.com](http://www.solu-m.com)

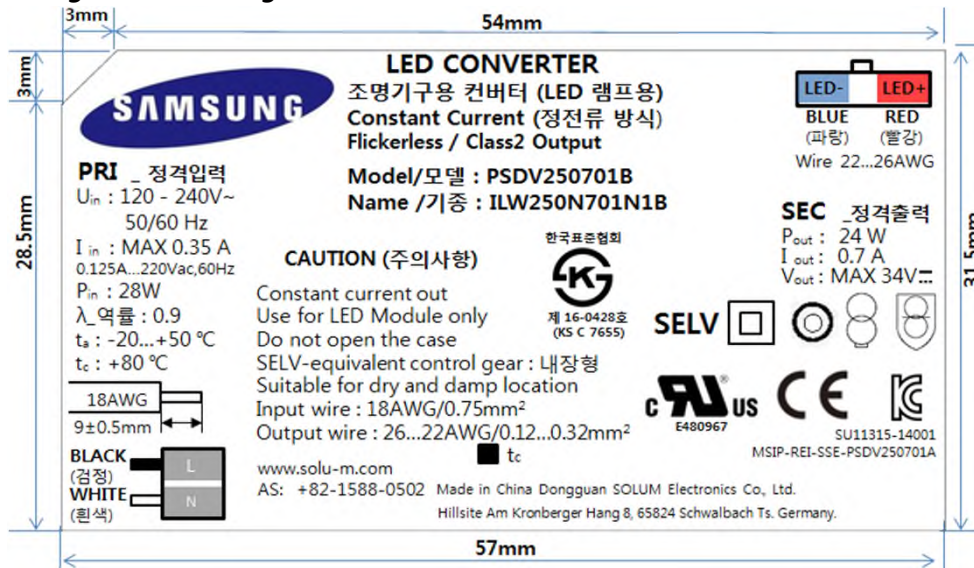
## ■ Wiring Diagram



CNT (B Type)	
Input	Output
Terminal Block (Pitch 3.5)	CNT (Pitch 2.0mm, 1R 3P)
Wire 18AWG	Wire 22-26AWG

Connector	Housing	Wire
SMW250-03A (yeonho)	SMH250-03A (yeonho)	22AWG
A2515WV0-3P-D (JWT)	A2515H00-3P (JWT)	

## ■ Rating Label Drawing



# SOLUM Co., Ltd

150, Maeyoung-Ro, Youngtong-Gu, Suwon-Si, Gyeonggi-Do, Republic of Korea 443-743

TEL: +82-1588-0502, www.solu-m.com

**Barcode Label**

2016-01-01

C 1 1 4 1 0 7 1 5 9 0 0 0 1 REV.A03

→ DATE

→ BARCODE

→ LOTNO

→ 7 DEVELOPMENT Rev X01~99  
MP Rev A01~99

→ 6 SERIAL No \_4 Digit

→ 5 MODEL CODE \_3 Digit

→ 4 PRODUCTION DATE \_2 Digit

→ 3 PRODUCTION MONTH \_1 Digit

→ 2 PRODUCTION YEAR \_2 Digit

→ 1 PRODUCTION COUNTI \_2 Digit

Mean	1.PLANT	2. YEAR	3. MONTH	4. DATE	5. CODE	6. SERIAL	7. Revision No
Digit	2	2	1	2	3	4	
EX.	C1 : DGSM C2 : Solytech C3 : IM C4 : Ap tech K1 : Korea	00~99	1...9,A,B	01~31	159	0001.. 9999	X01~99 : DEVELOPMENT  A01~99: MP

**Box Label**

Material Code	ILW250N701N1B		→ USER Model Code
ITEM	PSDV250701B  REV. A**		→ SOLUM Model Code
LOT No	*****	MAKER	→ SOLUM LOT NO & Quantity of Products
Quantity [PCS]	84	SOLUM	
EXP. Date	20**.**.** ~ 20**.**.**		→ Product Date ~ After 5 years
	 ***** **		→ USER Barcode

Digit	Year				Month				Date				Factory			Fixed		
	1	2	3	4	5	6	7	8	9	0	1	0	1	0	1	0	0	1
	P				D				D			0 0 1						
	N→2015				01~12月				01~31日				D : DGSM					
	P→2016											S : Solytech						
	Q→2017											M : IM						
	R→2018											A : Aptech						

Digit	Quantity Per BOX									BOX Size	Serial No.				Blank	Vender Code						Blank	Year				Month				Date				Factory			Fixed		
	1	2	3	4	5	6	7	8	9	10	11	12	13	14	15	16	17	18	19	20	21	22	23	24	25	26	27	28	29	30										
	0 0 0 0 0 0 0 1 0									B	0 0 1					E 6 0 1							N→2015				01~12月				01~31日				D : DGSM					
										A : Pallet B : BOX	001~999												P→2016												S : Solytech					
																							Q→2017												M : IM					
																							R→2018												A : Aptech					

# SOLUM Co., Ltd

150, Maeyoung-Ro, Youngtong-Gu, Suwon-Si, Gyeonggi-Do, Republic of Korea 443-743

TEL: +82-1588-0502, www.solu-m.com



