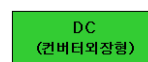


■ Model Name : PSDV270571A
ILW270N571N1

■ Features :

- Class II
- UL8750 / UL1310 Class 2
- Flickerless
- Full-protection provided: OCP/OVP/OTP/SCP/OLP
- Low Power Dissipation @ No Load : <1.0W
- Wide Vout : 23 ~ 40Vdc
- Meets safety requirements for lighting
- Constant Current Type

한국표준협회



※ Out Terminal Block Wiring Method : Factory Wiring @ UL

SOLUM Co., Ltd

150, Maeyoung-Ro, Youngtong-Gu, Suwon-Si, Gyeonggi-Do, Republic of Korea 443-743

TEL: +82-1588-0502, www.solu-m.com

■ Electrical specification

No.	Item	Min	Typ	Max	Unit	Remark
1	Nominal Input Voltage	110		240	Vac	
2	Wide Input Voltage	100		264	Vac	
3	Maximum Input Current			0.35	Arms	
4	Nominal Input Frequency	50		60	Hz	
5	Wide Input Frequency	47		63	Hz	
6	Power Factor (PF)	0.9				1)
7	Total Harmonic Distortion (THD)			13	%	1)
8	Inrush Current	Meets NEMA 410				2)
9	Output Voltage	23	36	40	Vdc	
10	Output Current	537	565	593	mA	@40Vdc Load
		542	570	599	mA	@36Vdc Load
		551	580	609	mA	@23Vdc Load
11	Ripple Current			57	mA	20MHz Bandwidth, 3)
12	Turn-on Delay			1,000	ms	@Cold Start, 4)
13	Electrical Efficiency	80	87		%	3)
14	No Load Power Dissipation			1	W	@ LED OPEN
15	Output Open LED Protection		50	57	Vdc	Auto-recovery
16	Output Short Circuit Protection	-	-	-	-	Auto-recovery
17	Over-temperature Protection	-	-	-	°C	Auto-recovery
18	Case Temperature (Tc)			80	°C	
19	Storage Temperature	-20		80	°C	
20	Operating Temperature	-20		50	°C	
21	Humidity	20		85	%	
22	Insulation Resistance	10			MΩ	500Vdc between Input & Output
23	Differential Mode (Line to Line)	2.5	5		kV	5)
24	Common Mode (Line to Ground)	8			kV	5) 6)
25	Contact Discharge Test Voltage	2	4		kV	7)
26	Air Discharge Test Voltage	4	8		kV	7) 8)
27	Dielectric Withstand Voltage	Input to Output	3,750		Vac	Apply for 1 minute 9)
28		Input to Case	-	-	Vac	
29		Output to Case	-	-	Vdc	

SOLUM Co., Ltd

150, Maeyoung-Ro, Youngtong-Gu, Suwon-Si, Gyeonggi-Do, Republic of Korea 443-743

TEL: +82-1588-0502, www.solu-m.com

☞ Application Notes

- 1) Test Condition:100/264Vac 50/60Hz Input,Typical LED Load ,Ambient Temperature 25C, Measure at the cable-end
- 2) Input 120Vac, < 192Apeak@1.2ms, < 74I²t
- 3) Test Condition: 240Vac 60Hz Input, LED Max. Load, 30min Aging, Ambient Temperature 25C
- 4) At least, Turn-On Time should be continued for 1sec.
- 5) Surge Specification above is higher than IEC/EN 61000-4-5 (Differential 1kV, Common 2kV)
- 6) The metal case of the LED driver must be connected with F.G
- 7) ESD Specification above meets IEC/EN 61000-4-2 Requirements (Contact 4kV, Air 8kV)
- 8) The metal case of the driver should be grounded.
- 9) Determined by Paragraph 34.1.2, UL1310 or Paragraph 8.4.2, UL8750, EN61347-1, EN61347-2-13

☞ Safety Standards

Including safety requirements above, the LED driver complies with the following safety standards:

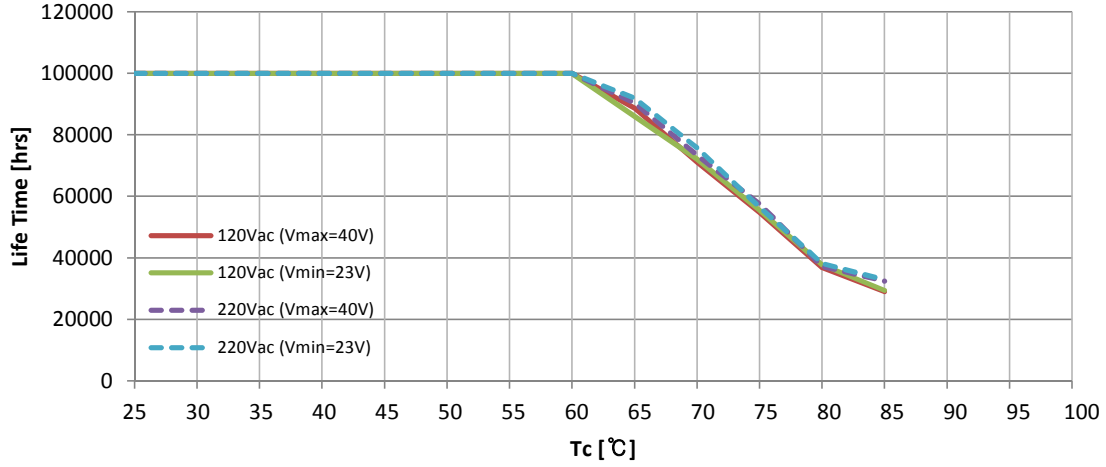
No.	Item	Description
1	UL8750, UL1310	UL Safety Standards (Class 2, Dry and Damp Location)
2	FCC Part 15, Class B	Conducted and Radiated Emission Test
3	IEC/EN 61347-1, IEC/EN 61347-2-13	IEC/EN Safety Standards
4	IEC/EN 55015	Conducted and Radiated Emission Test
5	IEC/EN 61000-3-2	Harmonic current emissions: Class C
6	IEC/EN 61000-3-3	Voltage Fluctuations and Flicker
7	IEC/EN 61000-4-2	Electrostatic Discharge (ESD): Contact 4kV, Air 8kV
8	IEC/EN 61000-4-3	Radio-frequency Electromagnetic Fields
9	IEC/EN 61000-4-4	Electrical Fast Transients (EFT)
10	IEC/EN 61000-4-5	Surges: Differential 1kV, Common 2kV
11	IEC/EN 61000-4-6	Injected Currents
12	IEC/EN 61000-4-8	Power Frequency Magnetic Fields
13	IEC/EN 61000-4-11	Voltage Dips and Short Interruptions

SOLUM Co., Ltd

150, Maeyoung-Ro, Youngtong-Gu, Suwon-Si, Gyeonggi-Do, Republic of Korea 443-743

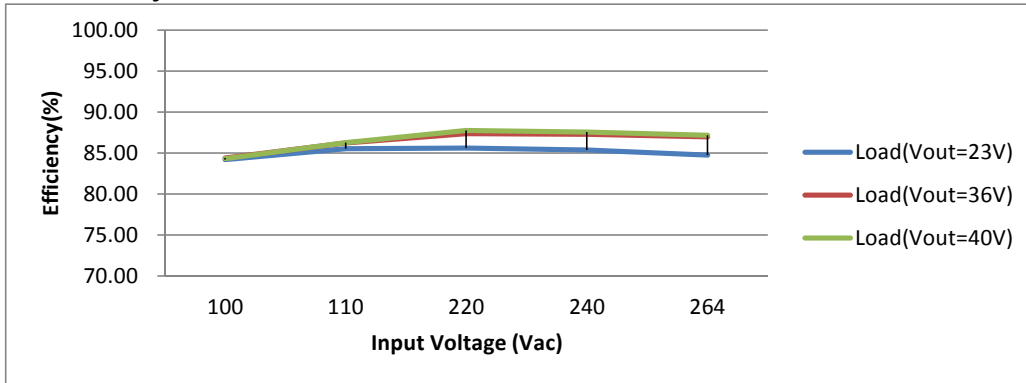
TEL: +82-1588-0502, www.solu-m.com

■ Life Time vs Tcase



Remark) LED Driver has a rated lifetime of 50,000 hours @ Tc ≤ 70°C

■ Efficiency(%)

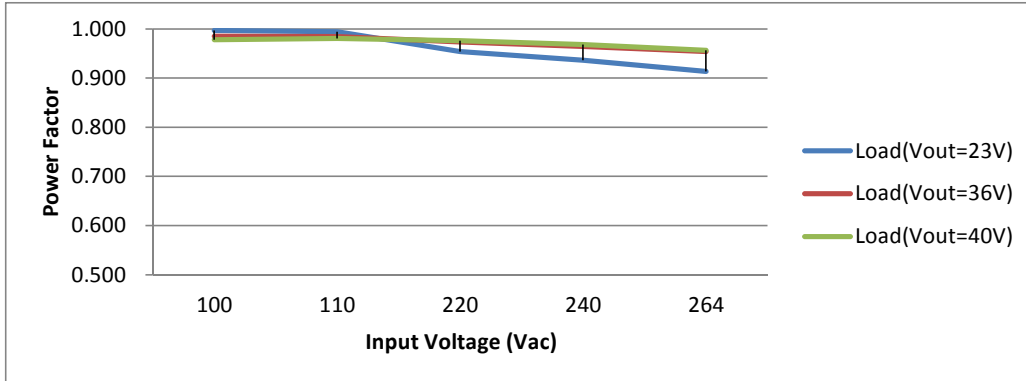


SOLUM Co., Ltd

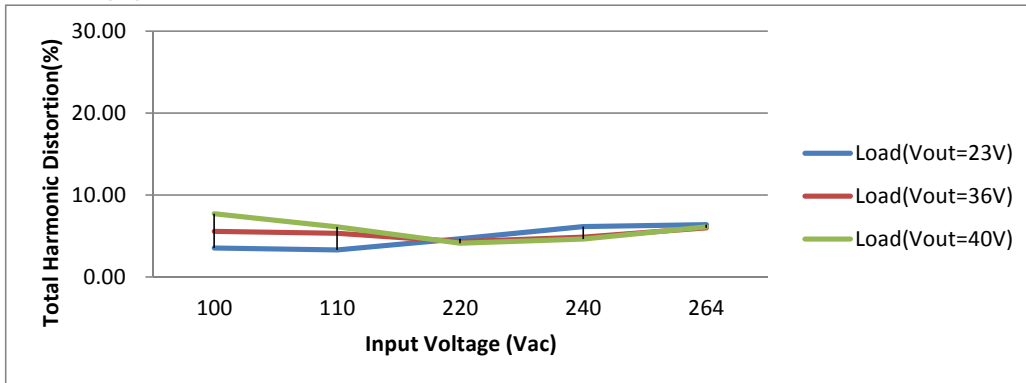
150, Maeyoung-Ro, Youngtong-Gu, Suwon-Si, Gyeonggi-Do, Republic of Korea 443-743

TEL: +82-1588-0502, www.solu-m.com

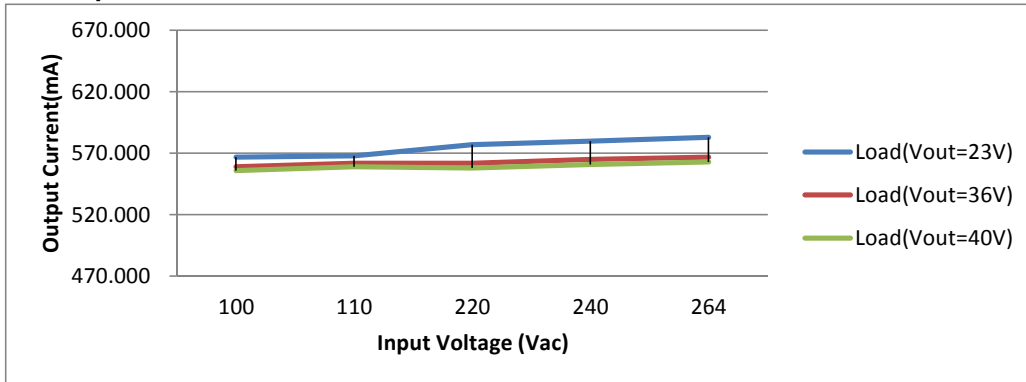
■ Power Factor



■ THD(%)



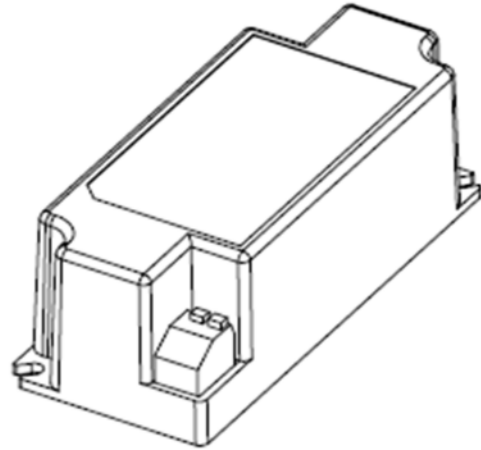
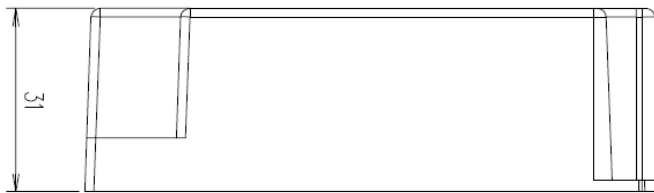
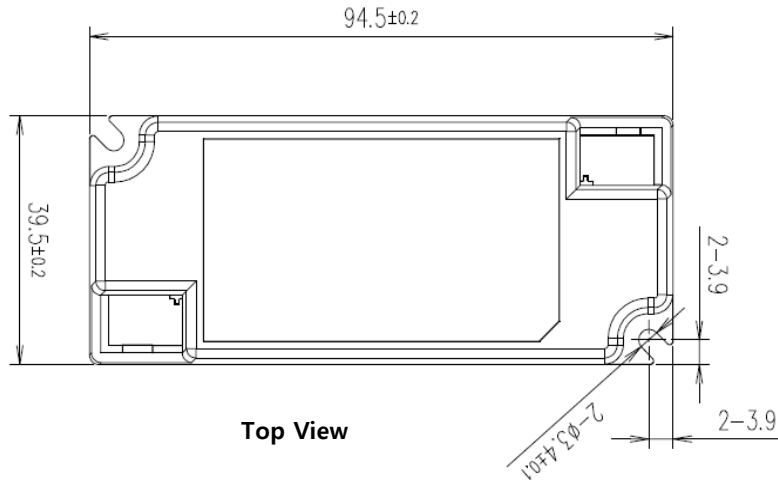
■ Output Current(mA)



SOLUM Co., Ltd

150, Maeyoung-Ro, Youngtong-Gu, Suwon-Si, Gyeonggi-Do, Republic of Korea 443-743

TEL: +82-1588-0502, www.solu-m.com

■ Mechanical Specification

■ Enclosure Size

Unit	Width	Length	Height	Mount Length	Overall Length
mm	39.5	94.5	31.0	86.7	94.5
inch	1.56	3.72	1.22	3.41	3.72

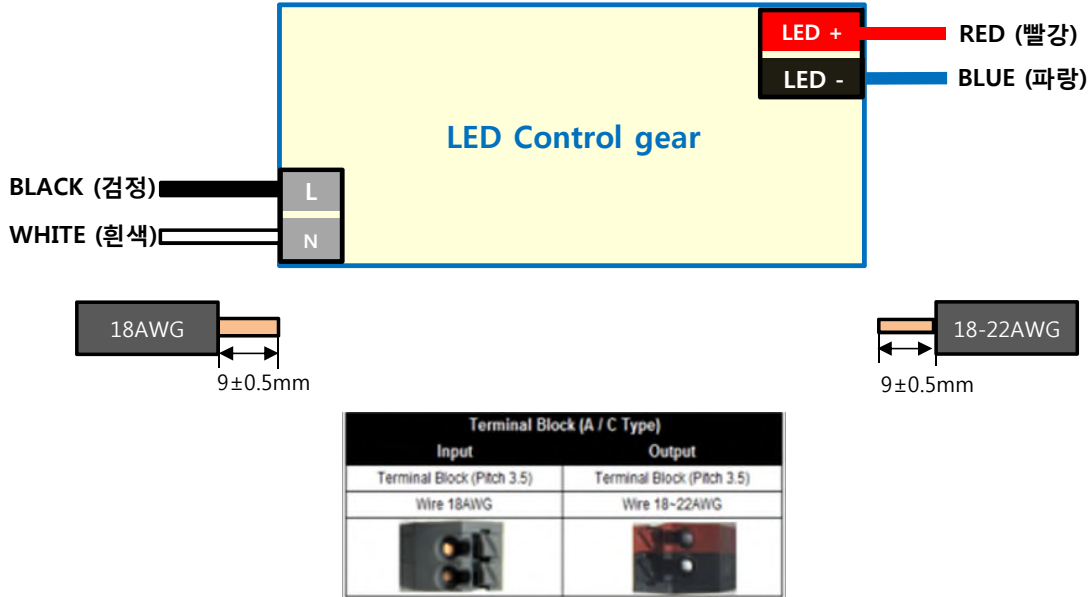
■ Case Material : PC

SOLUM Co., Ltd

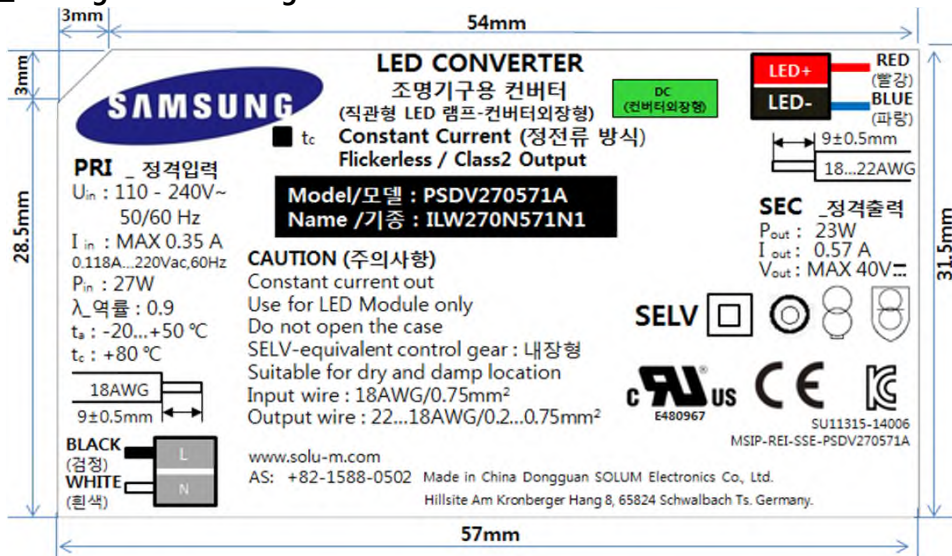
150, Maeyoung-Ro, Youngtong-Gu, Suwon-Si, Gyeonggi-Do, Republic of Korea 443-743

 TEL: +82-1588-0502, www.solu-m.com

■ Wiring Diagram



■ Rating Label Drawing



SOLUM Co., Ltd

150, Maeyoung-Ro, Youngtong-Gu, Suwon-Si, Gyeonggi-Do, Republic of Korea 443-743

TEL: +82-1588-0502, www.solu-m.com

Barcode Label

2016-01-01

 C 1 1 4 1 0 7 1 2 2 0 0 0 1 REV.A03

→ DATE / PRODUCTION

→ BARCODE

→ LOT NO

7 DEVELOPMENT Rev X01~99
 MP Rev A01~99
 6 SERIAL No _4 Digit
 5 MODEL CODE _3 Digit
 4 PRODUCTION DATE _2 Digit
 3 PRODUCTION MONTH _1 Digit
 2 PRODUCTION YEAR _2 Digit
 1 PRODUCTION COUNTRY _2 Digit

Mean	1.PLANT	2. YEAR	3. MONTH	4. DATE	5. CODE	6. SERIAL	7. Revision No
Digit	2	2	1	2	3	4	
EX.	C1 : DGSM C2 : Solytech C3 : IM C4 : Ap tech K1 : Korea	00~99	1...9,A,B	01~31	122	0001.. 9999	X01~99 : DEVELOPMENT A01~99: MP

Box Label

Material Code	ILW270N571N1	
ITEM	PSDV270571A REV. A**	
LOT No	*****	MAKER
Quantity [PCS]	84	SOLUM
EXP. Date	20**.**.** ~ 20**.**.**	

→ USER Model Code

→ SOLUM Model Code

→ SOLUM LOT NO & Quantity of Products

→ Product Date ~ After 5 years

→ USER Barcode

Digit	Year			Month			Date			Factory			Fixed		
	1	2	3	4	5	6	7	8	9	0	1	2	3	4	5
P	0	1	0	1	0	1	D	0	0	1					
N→2015	01~12月						01~31日	D : DGSM							
P→2016								S : Solytech							
Q→2017								M : IM							
R→2018								A : Aptech							

Digit	Quantity Per BOX									BOX Size	Serial No.				Blank	Vender Code					Blank	Year	Month			Date			Factory			Fixed		
	1	2	3	4	5	6	7	8	9	10	11	12	13	14	15	16	17	18	19	20	21	22	23	24	25	26	27	28	29	30				
0	0	0	0	0	0	0	0	1	0	B	0	0	1		E	6	0	1				P	0	1	0	1	D	0	0	1				
										A : Pallet B : BOX	001-999											01~12月			01~31日			D : DGSM S : Solytech M : IM A : Aptech						

SOLUM Co., Ltd

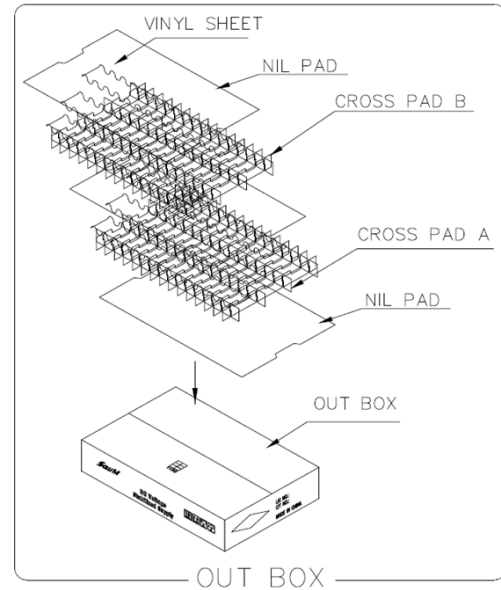
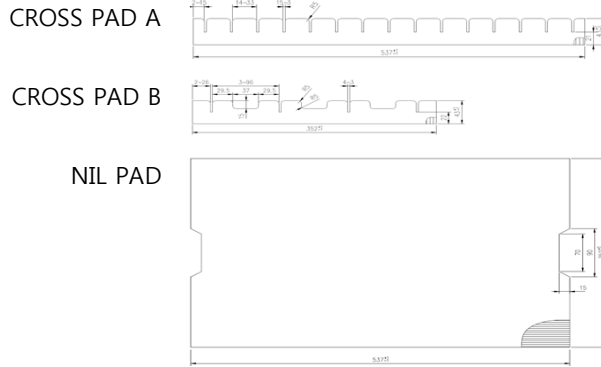
150, Maeyoung-Ro, Youngtong-Gu, Suwon-Si, Gyeonggi-Do, Republic of Korea 443-743

TEL: +82-1588-0502, www.solum-m.com

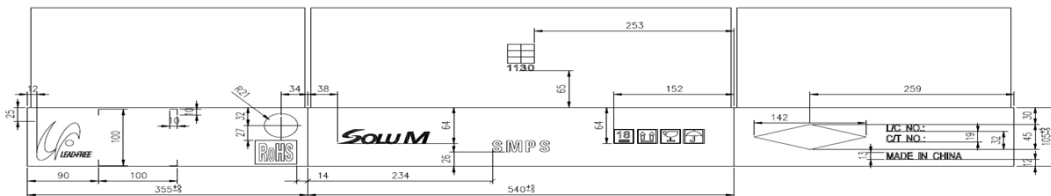
■ Packing Drawing

1. Out Box

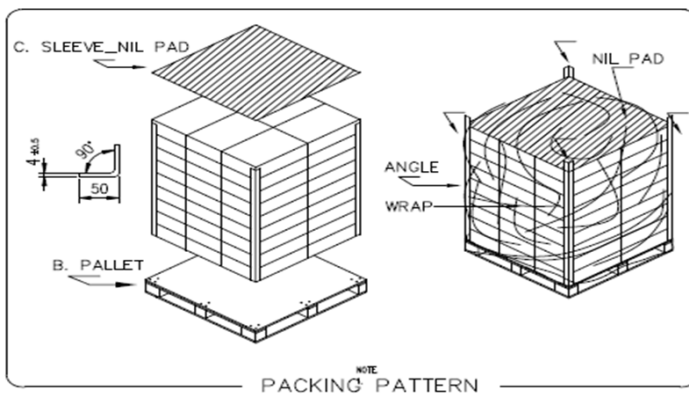
Dimension	540(L) 355(W) 105(H) [mm]
Weight	< 10Kg
Quantity	84EA / 1Box



OUT BOX



2. Pallet



SOLUM Co., Ltd

150, Maeyoung-Ro, Youngtong-Gu, Suwon-Si, Gyeonggi-Do, Republic of Korea 443-743

TEL: +82-1588-0502, www.solu-m.com