

■ **Model Name : PSDV130281A**  
**ILW130N281N1**

- **Features :**
- Class II
  - UL8750 / UL1310 Class 2
  - Flickerless
  - Full-protection provided: OCP/OVP/OTP/SCP/OLP
  - Low Power Dissipation @ No Load : <1.0W
  - Wide Vout : 25 ~ 40Vdc
  - Meets safety requirements for lighting
  - Constant Current Type



※ Out Terminal Block Wiring Method : Factory Wiring @ UL

## SOLUM Co., Ltd

150, Maeyoung-Ro, Youngtong-Gu, Suwon-Si, Gyeonggi-Do, Republic of Korea 443-743

TEL: +82-1588-0502, www.solu-m.com



■ Electrical specification

No.	Item	Min	Typ	Max	Unit	Remark	
1	Nominal Input Voltage	100		240	Vac		
2	Wide Input Voltage	90		264	Vac		
3	Maximum Input Current			0.35	Arms		
4	Nominal Input Frequency	50		60	Hz		
5	Wide Input Frequency	47		63	Hz		
6	Power Factor (PF)	0.9				1)	
7	Total Harmonic Distortion (THD)			13	%	1)	
8	Inrush Current	Meets NEMA 410				2)	
9	Output Voltage	25	37	40	Vdc		
10	Output Current	265	285	305	mA	@40Vdc Load	
		265	285	305	mA	@37Vdc Load	
		274	295	316	mA	@25Vdc Load	
11	Ripple Current			28.5	mA	20MHz Bandwidth, 3)	
12	Turn-on Delay			1,000	ms	@Cold Start, 4)	
13	Electrical Efficiency	80	83		%	3)	
14	No Load Power Dissipation			1	W	@ LED OPEN	
15	Output Open LED Protection		42.5	50	Vdc	Auto-recovery	
16	Output Short Circuit Protection	-	-	-	-	Auto-recovery	
17	Over-temperature Protection	-	-	-	°C	Auto-recovery	
18	Case Temperature (Tc)			80	°C		
19	Storage Temperature	-20		80	°C		
20	Operating Temperature	-20		50	°C		
21	Humidity	20		85	%		
22	Insulation Resistance	10			MΩ	500Vdc between Input & Output	
23	Differential Mode (Line to Line)	2.5	5		kV	5)	
24	Common Mode (Line to Ground)	8			kV	5) 6)	
25	Contact Discharge Test Voltage	2	4		kV	7)	
26	Air Discharge Test Voltage	4	8		kV	7) 8)	
27	Dielectric Withstand Voltage	Input to Output	3,750			Apply for 1 minute 9)	
28		Input to Case	-	-	-		Vac
29		Output to Case	-	-	-		Vdc

## SOLUM Co., Ltd

150, Maeyoung-Ro, Youngtong-Gu, Suwon-Si, Gyeonggi-Do, Republic of Korea 443-743

TEL: +82-1588-0502, www.solu-m.com

**☞ Application Notes**

- 1) Test Condition: 90/264Vac 50/60Hz Input, Typical Electric Load, Ambient Temperature 25°C, Measure at the cable-end
- 2) Input 120Vac, < 192A<sub>peak</sub>@1.2ms, < 74I<sup>2</sup>t
- 3) Test Condition: 240Vac 60Hz Input, LED Max. Load, 30min Aging, Ambient Temperature 25°C
- 4) At least, Turn-on Time should be continued for 1sec.
- 5) Surge Specification above is higher than IEC/EN 61000-4-5 (Differential 1kV, Common 2kV)
- 6) The metal case of the LED driver must be connected with F.G
- 7) ESD Specification above meets IEC/EN 61000-4-2 Requirements (Contact 4kV, Air 8kV)
- 8) The metal case of the driver should be grounded.
- 9) Determined by Paragraph 34.1.2, UL1310 or Paragraph 8.4.2, UL8750, EN61347-1, EN61347-2-13

**☞ Safety Standards**

Including safety requirements above, the LED driver complies with the following safety standards:

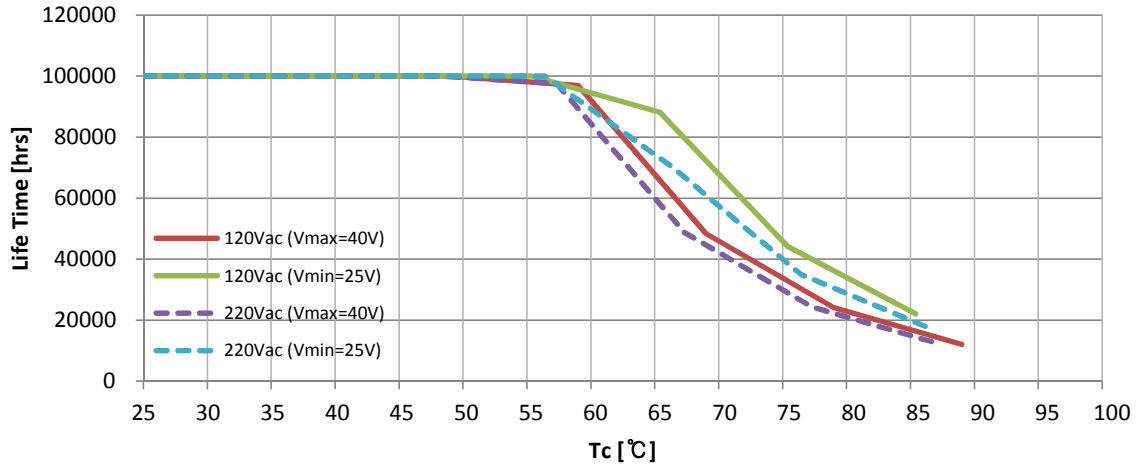
No.	Item	Description
1	UL8750, UL1310	UL Safety Standards (Class 2, Dry and Damp Location)
2	FCC Part 15, Class B	Conducted and Radiated Emission Test
3	IEC/EN 61347-1, IEC/EN 61347-2-13	IEC/EN Safety Standards
4	IEC/EN 55015	Conducted and Radiated Emission Test
5	IEC/EN 61000-3-2	Harmonic current emissions: Class C
6	IEC/EN 61000-3-3	Voltage Fluctuations and Flicker
7	IEC/EN 61000-4-2	Electrostatic Discharge (ESD): Contact 4kV, Air 8kV
8	IEC/EN 61000-4-3	Radio-frequency Electromagnetic Fields
9	IEC/EN 61000-4-4	Electrical Fast Transients (EFT)
10	IEC/EN 61000-4-5	Surges: Differential 1kV, Common 2kV
11	IEC/EN 61000-4-6	Injected Currents
12	IEC/EN 61000-4-8	Power Frequency Magnetic Fields
13	IEC/EN 61000-4-11	Voltage Dips and Short Interruptions

## SOLUM Co., Ltd

150, Maeyoung-Ro, Youngtong-Gu, Suwon-Si, Gyeonggi-Do, Republic of Korea 443-743

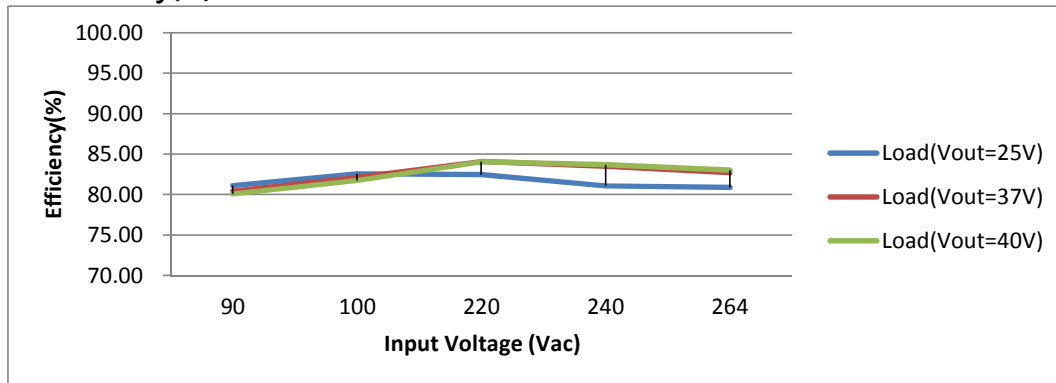
TEL: +82-1588-0502, [www.solu-m.com](http://www.solu-m.com)

■ Life Time vs Tcase



Remark) LED Driver has a rated lifetime of 50,000 hours @ Tc≤65°C

■ Efficiency(%)

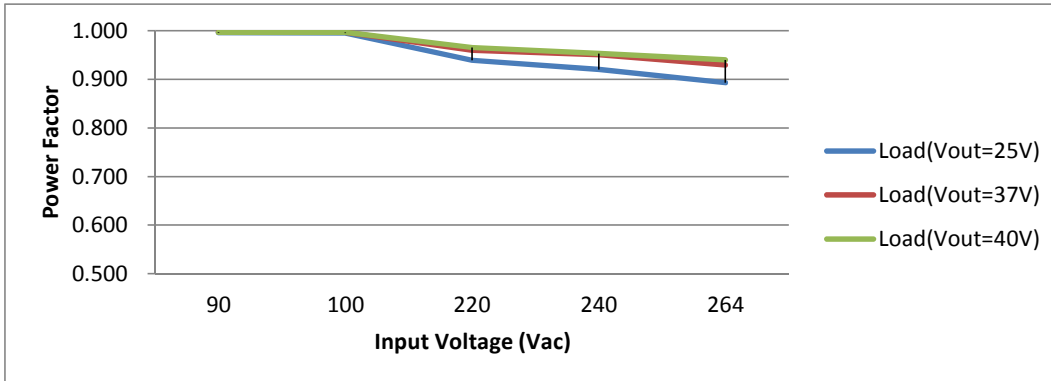


# SOLUM Co., Ltd

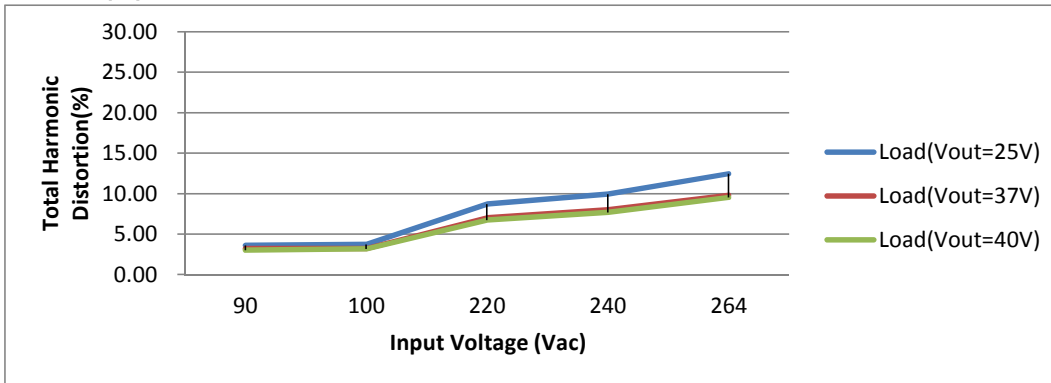
150, Maeyoung-Ro, Youngtong-Gu, Suwon-Si, Gyeonggi-Do, Republic of Korea 443-743

TEL: +82-1588-0502, [www.solu-m.com](http://www.solu-m.com)

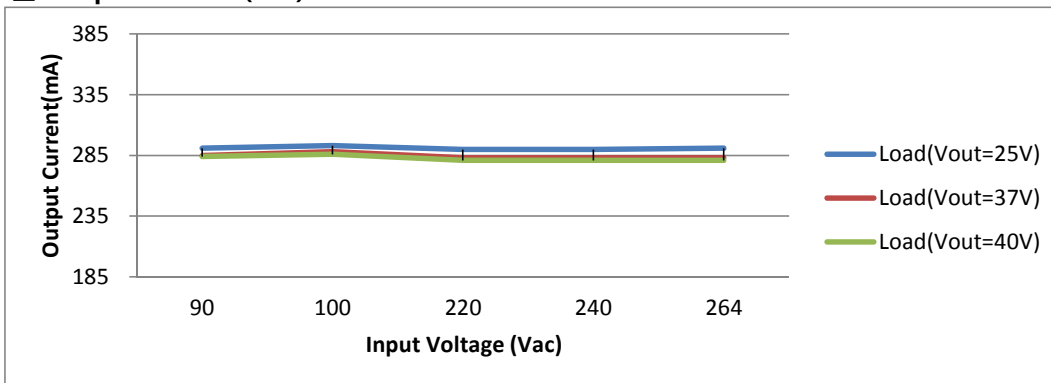
■ Power Factor



■ THD(%)



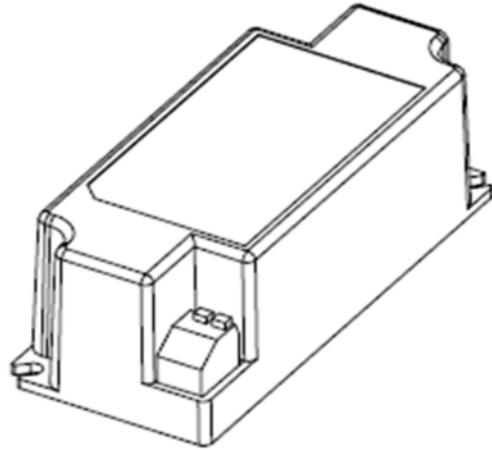
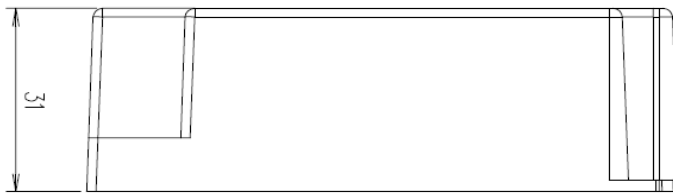
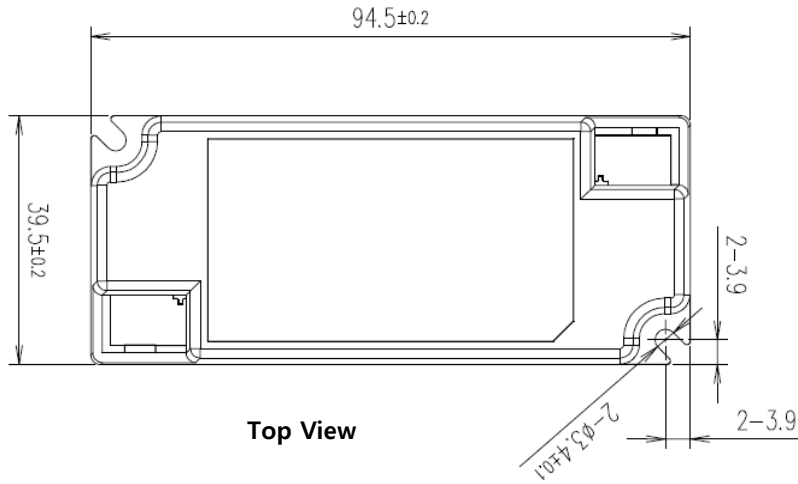
■ Output Current(mA)



# SOLUM Co., Ltd

150, Maeyoung-Ro, Youngtong-Gu, Suwon-Si, Gyeonggi-Do, Republic of Korea 443-743

TEL: +82-1588-0502, [www.solu-m.com](http://www.solu-m.com)

**■ Mechanical Specification**

**■ Enclosure Size**

Unit	Width	Length	Height	Mount Length	Overall Length
mm	39.5	94.5	31.0	86.7	94.5
inch	1.56	3.72	1.22	3.41	3.72

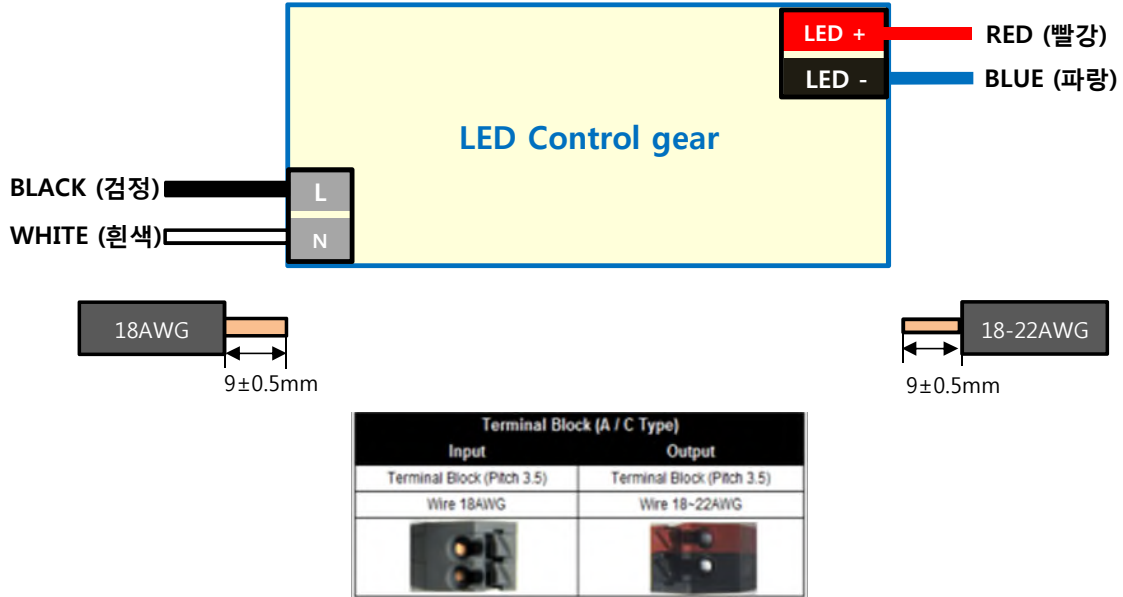
**■ Case Material : PC**

# SOLUM Co., Ltd

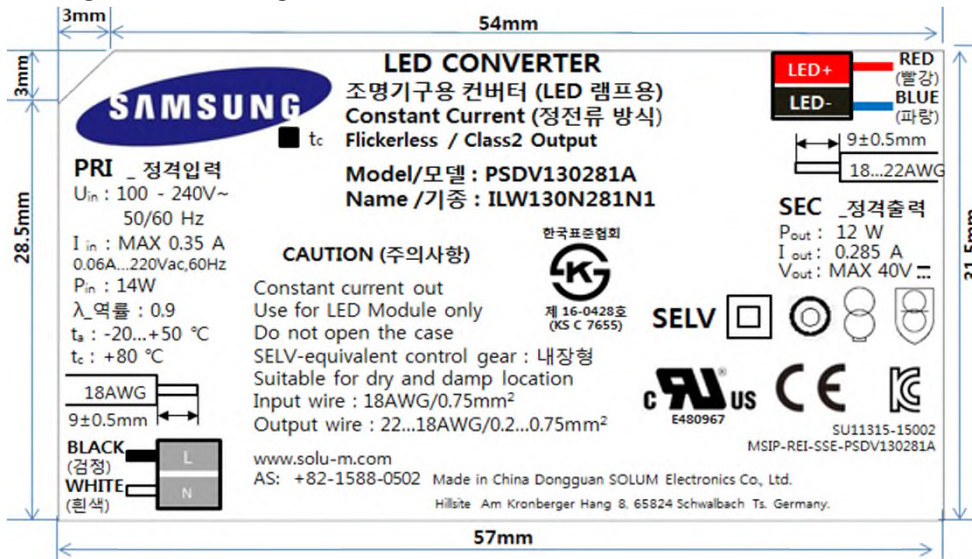
150, Maeyoung-Ro, Youngtong-Gu, Suwon-Si, Gyeonggi-Do, Republic of Korea 443-743

 TEL: +82-1588-0502, [www.solu-m.com](http://www.solu-m.com)

### ■ Wiring Diagram



### ■ Rating Label Drawing



## SOLUM Co., Ltd

150, Maeyoung-Ro, Youngtong-Gu, Suwon-Si, Gyeonggi-Do, Republic of Korea 443-743

TEL: +82-1588-0502, www.solu-m.com

**Barcode Label**

2016-01-01  
  
 C 1 1 4 1 0 7 1 3 9 0 0 0 1 REV.A03

→ DATE

→ BARCODE

→ LOT NO

7 DEVELOPMENT Rev X01~99  
 MP Rev A01~99  
 6 SERIAL No \_4 Digit  
 5 MODEL CODE \_3 Digit  
 4 PRODUCTION DATE \_2 Digit  
 3 PRODUCTION MONTH \_1 Digit  
 2 PRODUCTION YEAR \_2 Digit  
 1 PRODUCTION COUNTRY \_2 Digit

Mean	1.PLANT	2. YEAR	3. MONTH	4. DATE	5. CODE	6. SERIAL	7. Revision No
Digit	2	2	1	2	3	4	
EX.	C1 : DGSM C2 : Solytech C3 : IM C4 : Ap tech K1 : Korea	00~99	1...9,A,B	01~31	139	0001.. 9999	X01~99 : DEVELOPMENT  A01~99: MP

**Box Label**

Material Code	ILW130N281N1		→ USER Model Code
ITEM	PSDV130281A  REV. A**		→ SOLUM Model Code
LOT No	*****	MAKER	→ SOLUM LOT NO & Quantity of Products
Quantity [PCS]	84	SOLUM	
EXP. Date	20**.**.* ~ 20**.**.*		→ Product Date ~ After 5 years
	 *****		→ USER Barcode

Digit	Year			Month		Date			Factory			Fixed		
	1	2	3	4	5	6	7	8	9	0	1	2	3	4
P	0	1	0	1	0	D	0	0	1					
N→2015	01~12月		01~31日		D : DGSM									
P→2016					S : Solytech									
Q→2017					M : IM									
R→2018					A : Aptech									

Digit	Quantity Per BOX									BOX Size	Serial No.				Blank	Vender Code				Blank	Year			Month			Date			Factory			Fixed		
	1	2	3	4	5	6	7	8	9	10	11	12	13	14	15	16	17	18	19	20	21	22	23	24	25	26	27	28	29	30					
0	0	0	0	0	0	0	0	1	0	B	0	0	1		E	6	0	1				P	0	1	0	1	D	0	0	1					
										A : Pallet B : BOX	001~999										N→2015 P→2016 Q→2017 R→2018			01~12月 01~31日			D : DGSM S : Solytech M : IM A : Aptech								

# SOLUM Co., Ltd

150, Maeyoung-Ro, Youngtong-Gu, Suwon-Si, Gyeonggi-Do, Republic of Korea 443-743

TEL: +82-1588-0502, www.solu-m.com



